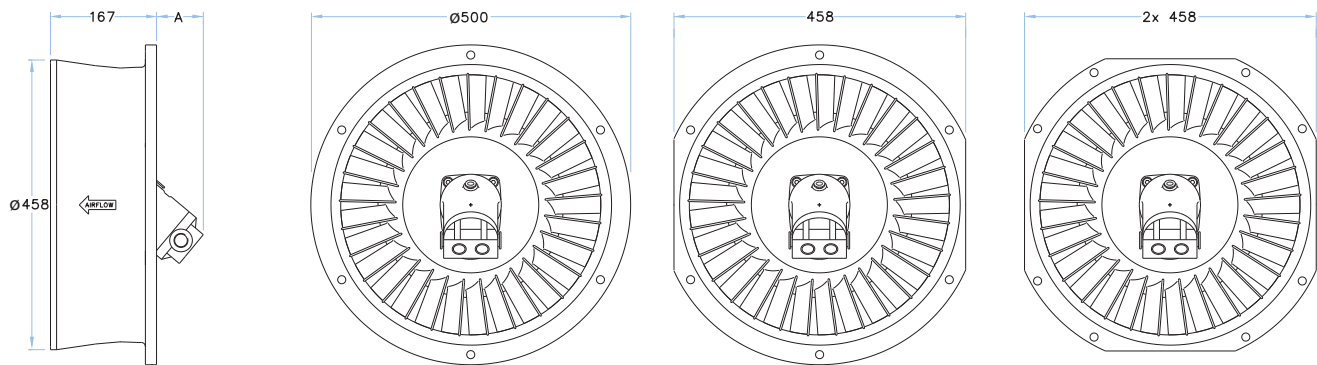


MIXED FLOW FAN

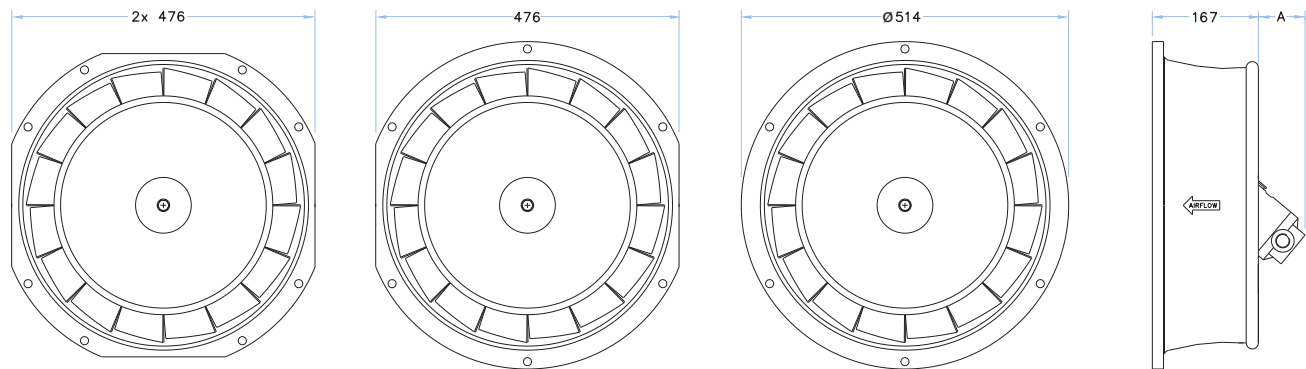
P/N 93350-2(18B)

SCFM CORPORATION'S latest Mixed Flow Fan P/N 93350 is a high pressure version of the highly successful 91350 fan. Maintaining exactly the same space claim as the 91350 fan, the new high pressure 93350 has a 30% increase in peak pressure for more tightly packaged engine cooling systems.

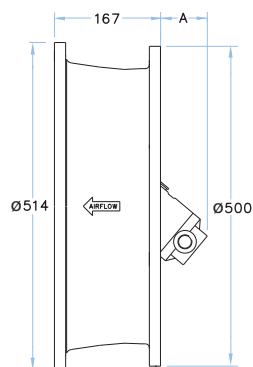
FRONT (AIR INLET) MOUNTING FLANGE



BACK (AIR DISCHARGE) MOUNTING FLANGE



TWO MOUNTING FLANGES



Hydraulic motors that can be fitted in the fan are:

Parker 10 cc, 12 cc & 14 cc - Dimension A = 58.1 mm – Fan weight \approx 28.8 kg

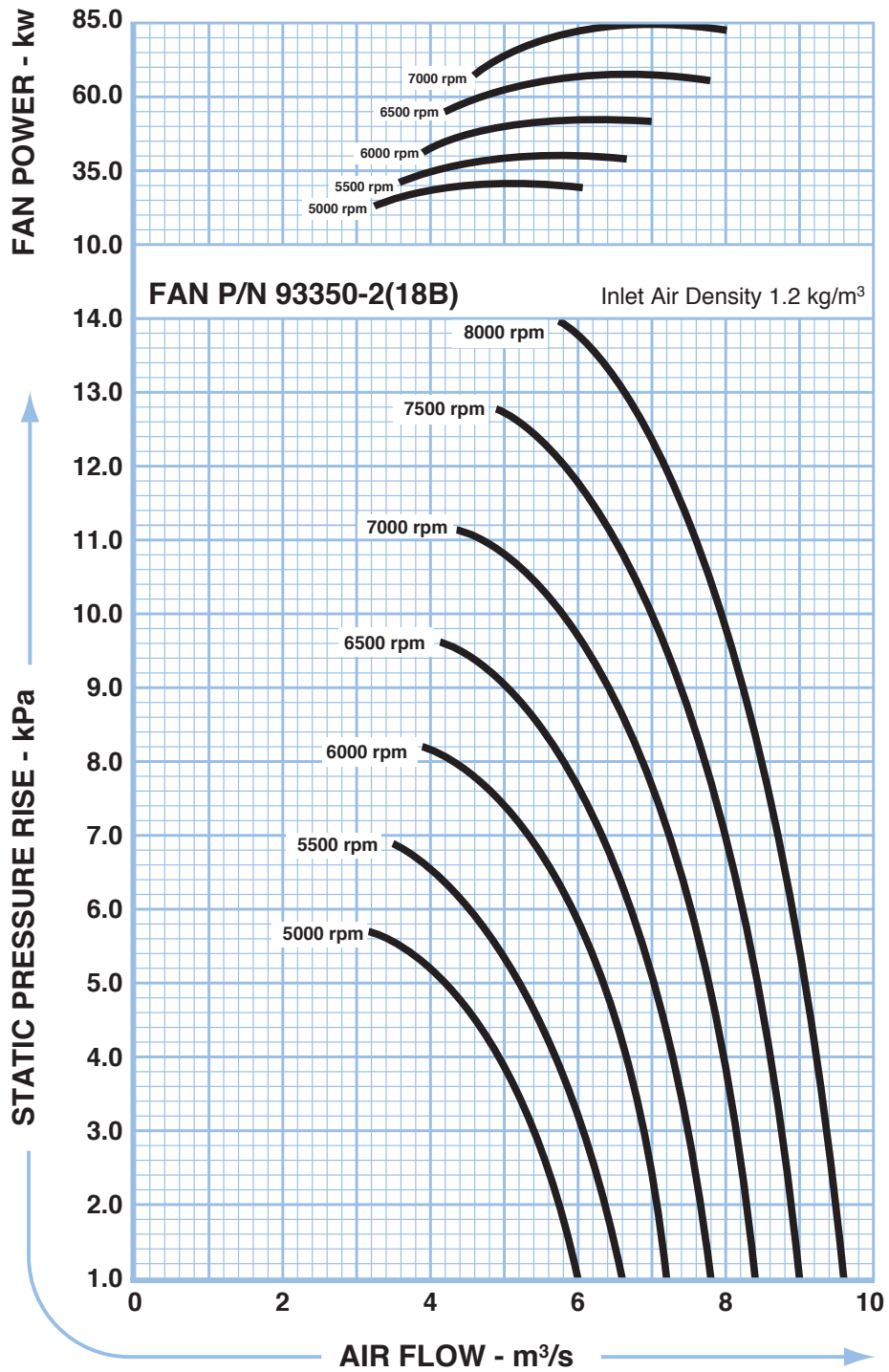
Rexroth 10 cc, 12 cc & 16 cc - Dimension A = 73.9 mm – Fan weight \approx 26.8 kg

Parker 19 cc - Dimension A = 80.0 mm – Fan weight \approx 32.2 kg

Rexroth 23 cc, 28 cc & 32 cc - Dimension A = 113.0 mm – Fan weight \approx 31.1 kg

Parker 30 cc - Dimension A = 95.5 mm – Fan weight \approx 33.3 kg

(*Fan weight is for the front mounting flange version)



1153 Red Gum Street
 Anaheim, California 92806 USA
 Phone: 714-630-7236 Fax: 714-630-7744
 Email: sales@SCFMfans.com