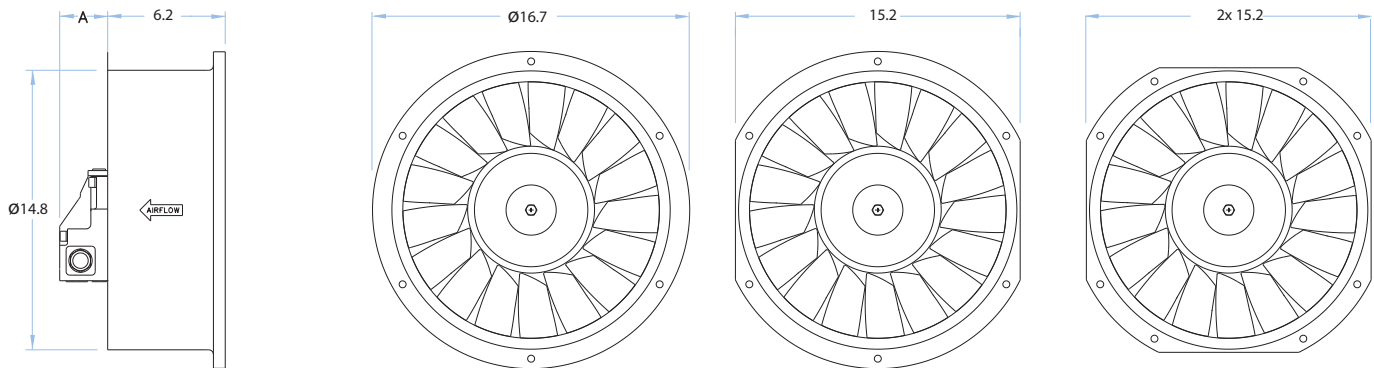


AXIAL FLOW FAN

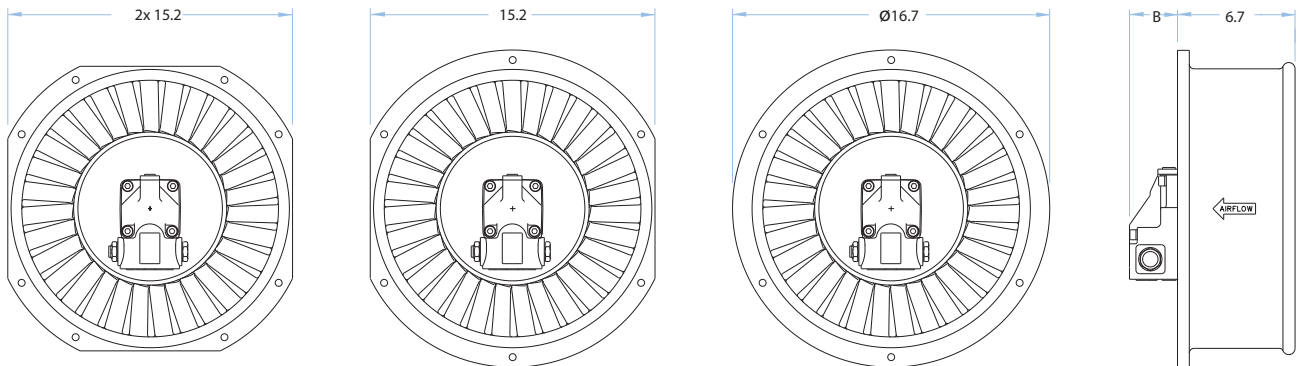
P/N 61200

SCFM CORPORATION'S latest Axial Flow Fan P/N 61200 maintains the same space claim as the highly successful 91200 fan, but moves the hydraulic motor drive to the fan outlet; suitable for engine cooling system layouts where this approach is more convenient.

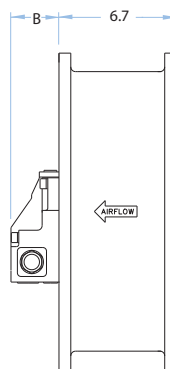
FRONT (AIR INLET) MOUNTING FLANGE



BACK (AIR DISCHARGE) MOUNTING FLANGE



TWO MOUNTING FLANGES



Hydraulic motors that can be fitted in the fan are:

Parker 5cc - Dimension B = 1.1 in – Fan weight \approx 39.8 lb

Parker 10cc, 12cc & 14cc - Dimension B = 2.1 in – Fan weight \approx 47.7 lb

Rexroth 10cc, 12cc & 16cc - Dimension B = 2.8 in – Fan weight \approx 41.0 lb

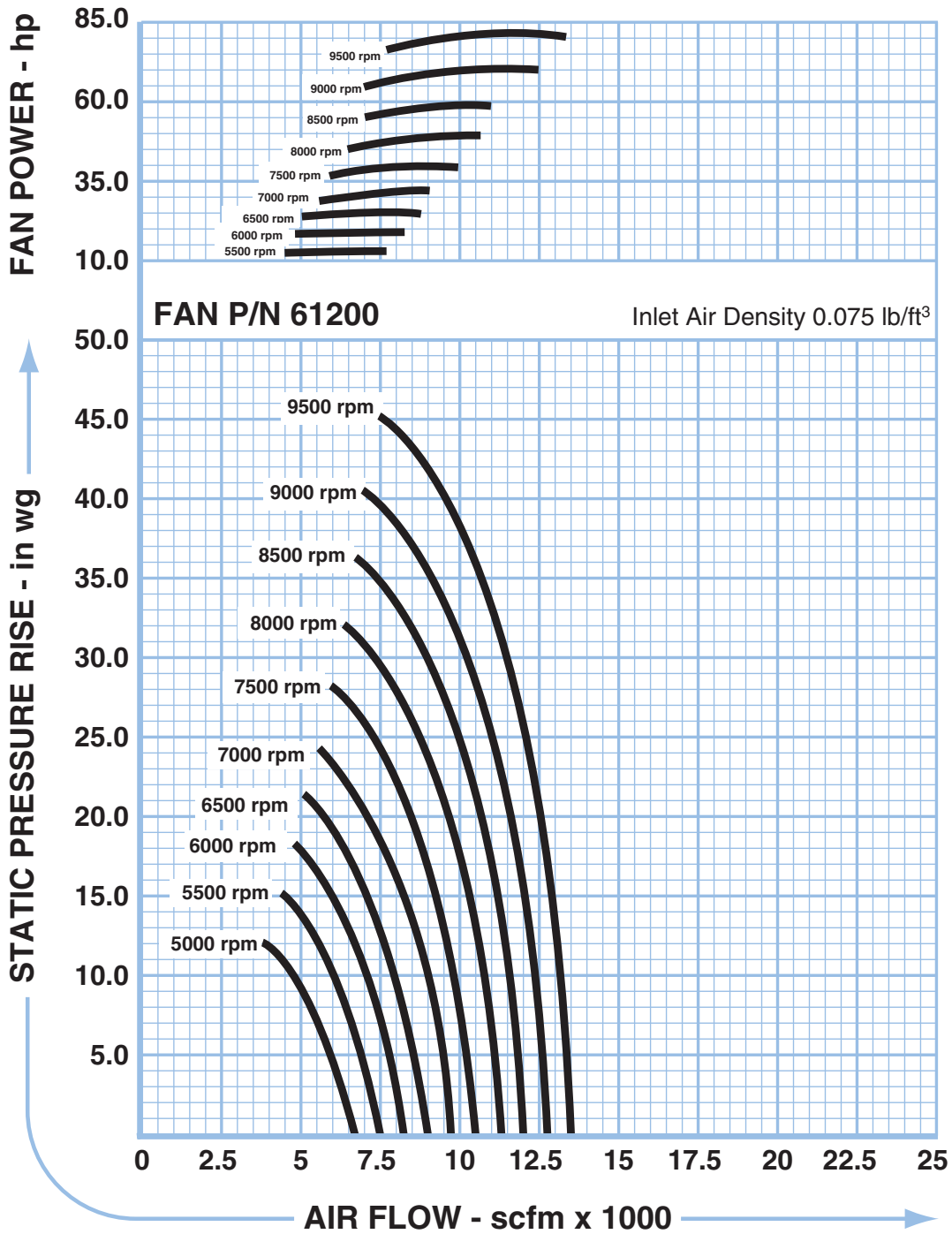
Parker 19cc - Dimension B = 3.0 in – Fan weight \approx 52.8 lb

Rexroth 23cc, 28cc & 32cc - Dimension B = 4.3 in – Fan weight \approx 51.3 lb

Parker 30cc - Dimension B = 3.6 in – Fan weight \approx 56.8 lb

(For dimension A add 0.5 in to dimension B)

(*Fan weight is for the front mounting flange version)



1153 Red Gum Street
 Anaheim, California 92806 USA
 Phone: 714-630-7236 Fax: 714-630-7744
 Email: sales@SCFMfans.com