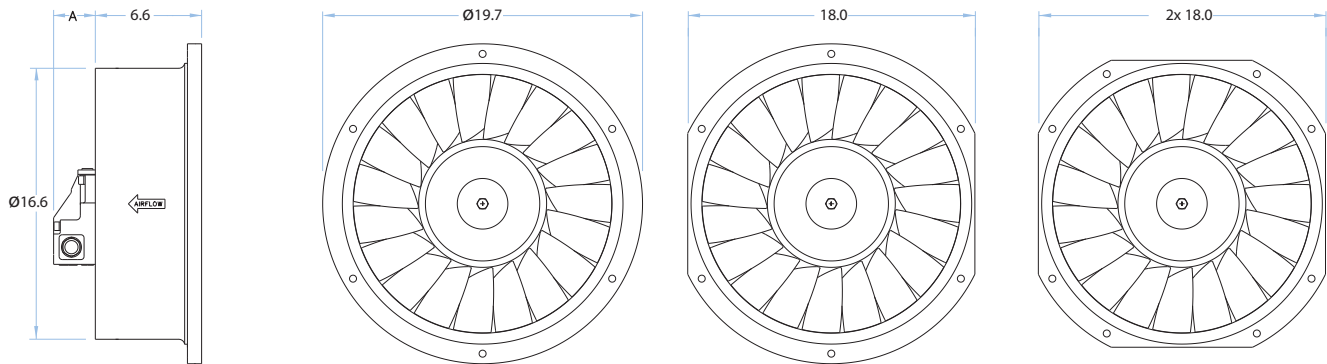


AXIAL FLOW FAN

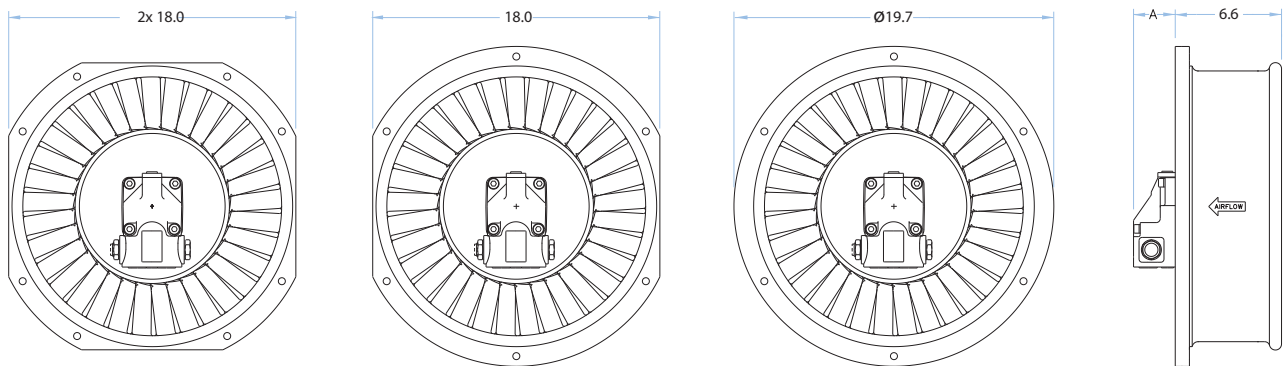
P/N 61350

SCFM CORPORATION'S latest Axial Flow Fan P/N 61350 maintains the same space claim as the highly successful 91350 fan, but moves the hydraulic motor drive to the fan outlet; suitable for engine cooling system layouts where this approach is more convenient.

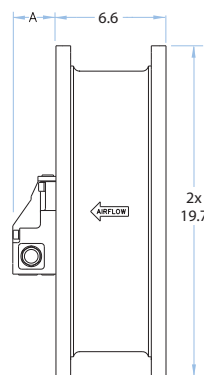
FRONT (AIR INLET) MOUNTING FLANGE



BACK (AIR DISCHARGE) MOUNTING FLANGE



TWO MOUNTING FLANGES



Hydraulic motors that can be fitted in the fan are:

Parker 10 cc, 12 cc & 14 cc - Dimension A = 2.6 in. – Fan weight \approx 57.2 lb.

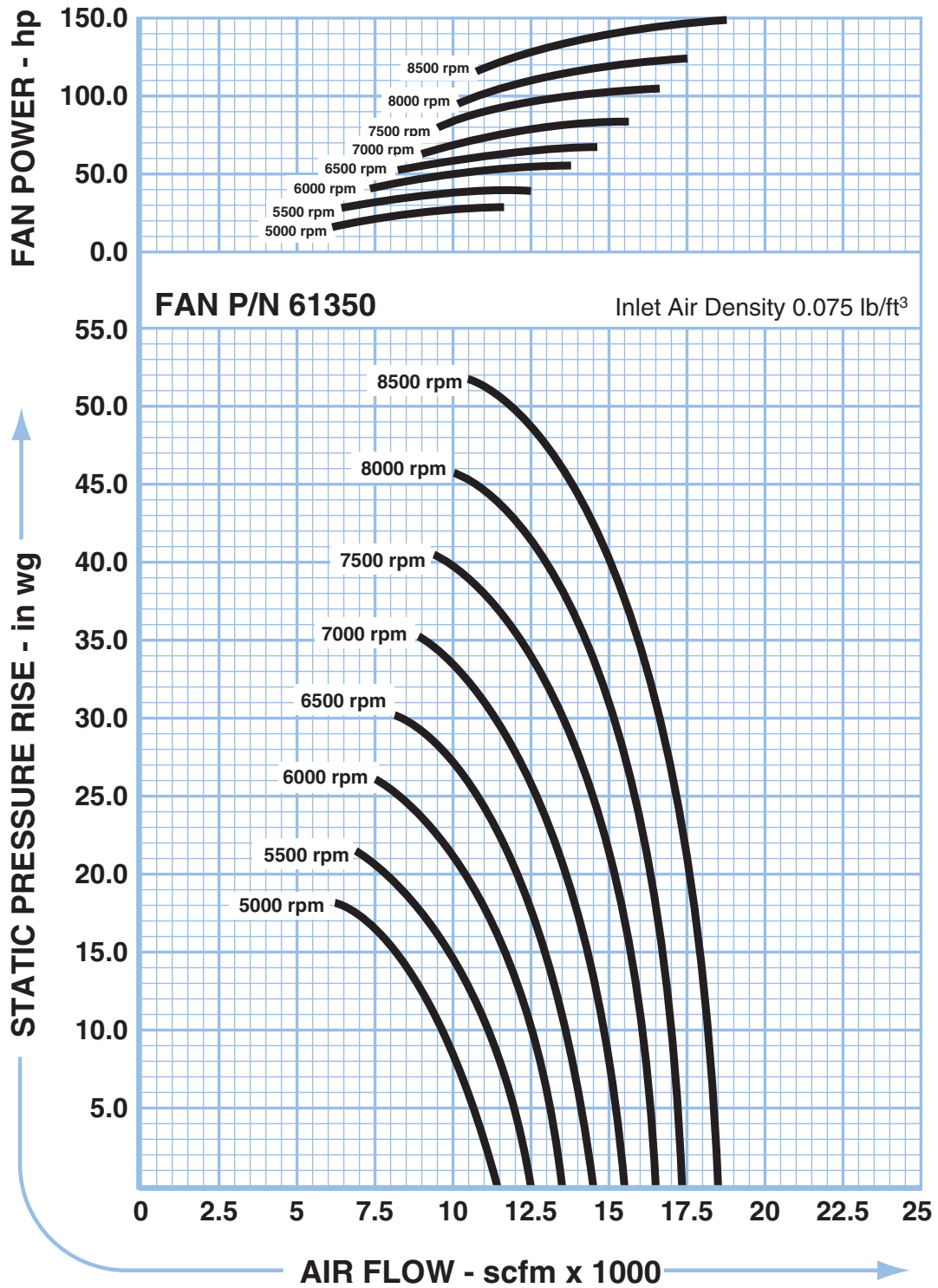
Rexroth 10 cc, 12 cc & 16 cc - Dimension A = 3.2 in. – Fan weight \approx 52.4 lb.

Parker 19 cc - Dimension A = 3.5 in. – Fan weight \approx 64.5 lb.

Rexroth 23 cc, 28 cc & 32 cc - Dimension A = 4.8 in. – Fan weight \approx 62.7 lb.

Parker 30 cc - Dimension A = 4.1 in – Fan weight \approx 67.8 lb.

(*Fan weight is for the front mounting flange version)



1153 Red Gum Street
 Anaheim, California 92806 USA
 Phone: 714-630-7236 Fax: 714-630-7744
 Email: sales@SCFMfans.com