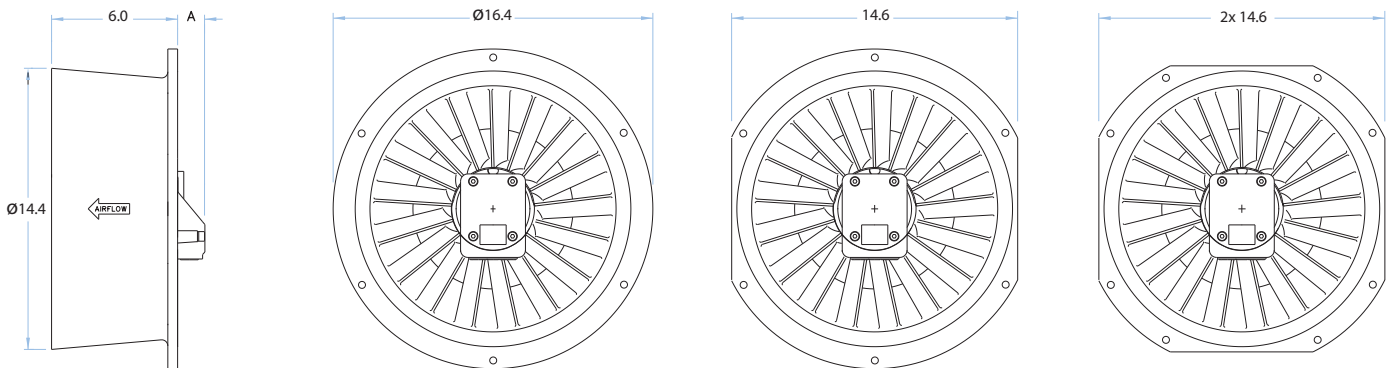


MIXED FLOW FAN

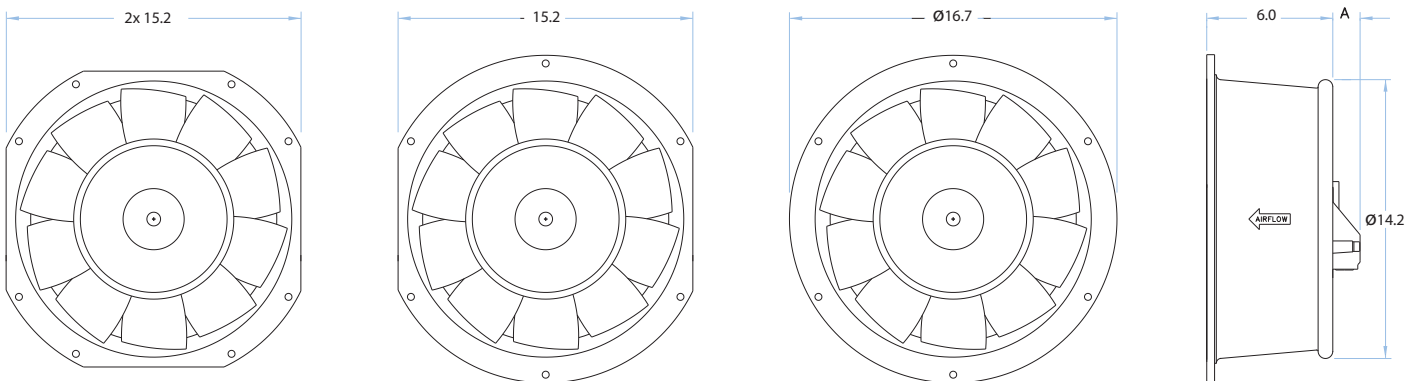
P/N 91200

SCFM CORPORATION'S Mixed Flow Fan P/N 91200 has been upgraded to add more mounting options, while at the same time still keeping the overall performance and efficiency.

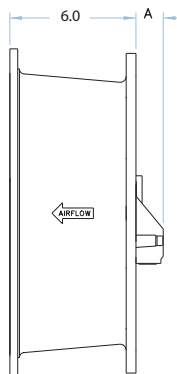
FRONT (AIR INLET) MOUNTING FLANGE



BACK (AIR DISCHARGE) MOUNTING FLANGE



TWO MOUNTING FLANGES



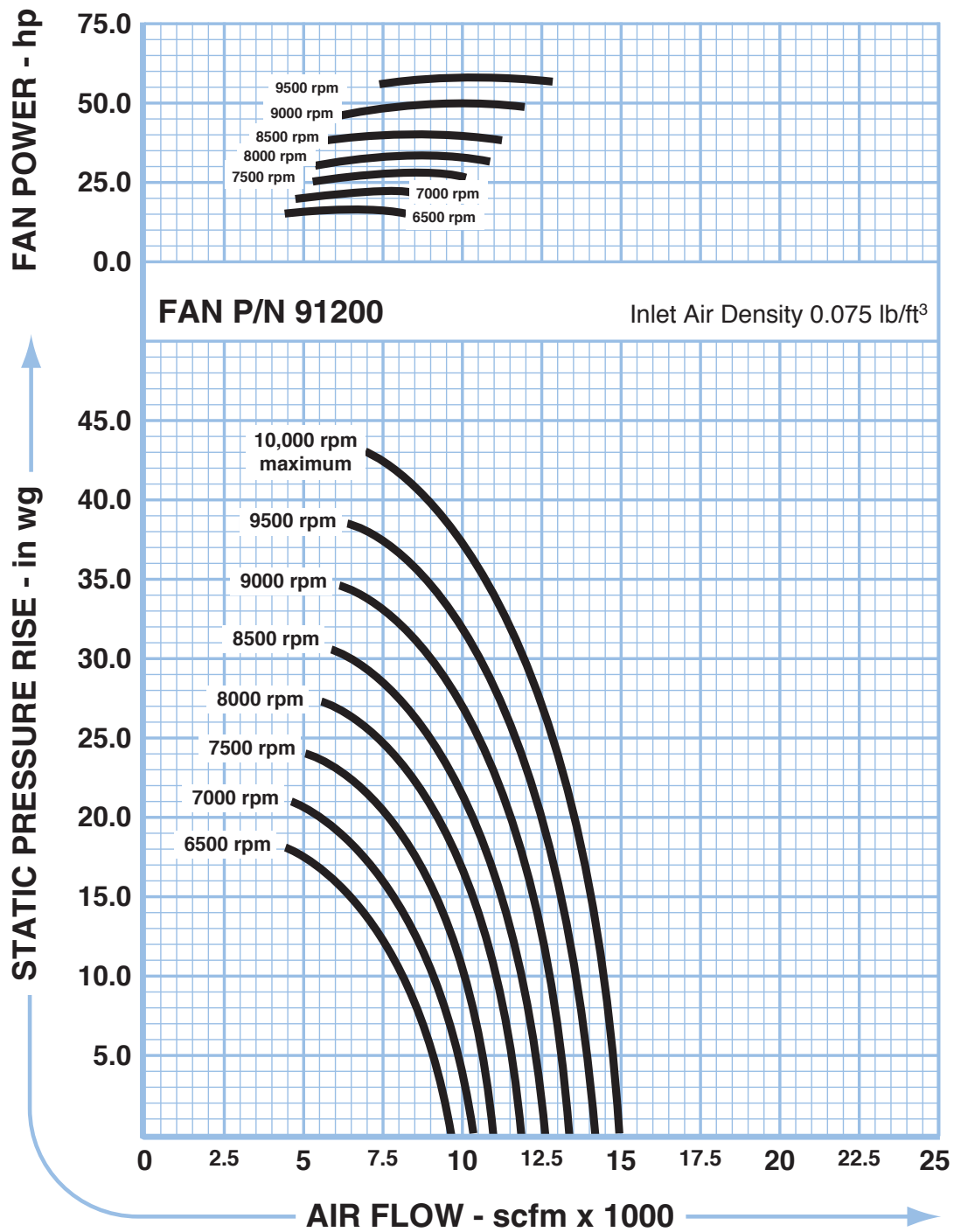
Hydraulic motors that can be fitted in the fan are:

Parker 5 cc – Dimension A = 1.9 in. – Fan weight \approx 33.0 lb.

Parker 10 cc, 12 cc & 14 cc – Dimension A = 2.8 in. – Fan weight \approx 39.4 lb.

Rexroth 10 cc, 12 cc & 16 cc – Dimension A = 3.6 in. – Fan weight \approx 34.5 lb.

(*Fan weight is for the front mounting flange version)



1153 Red Gum Street
 Anaheim, California 92806 USA
 Phone: 714-630-7236 Fax: 714-630-7744
 Email: sales@SCFMfans.com