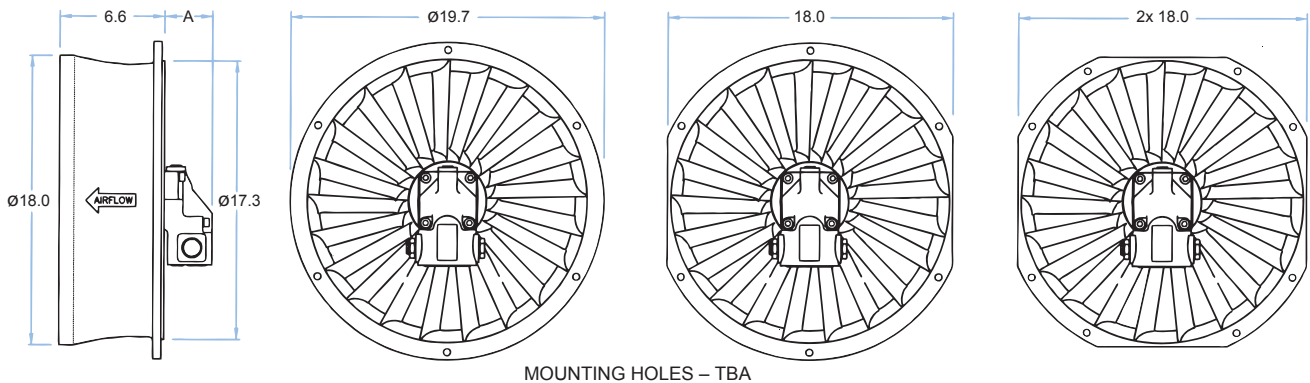


MIXED FLOW FAN

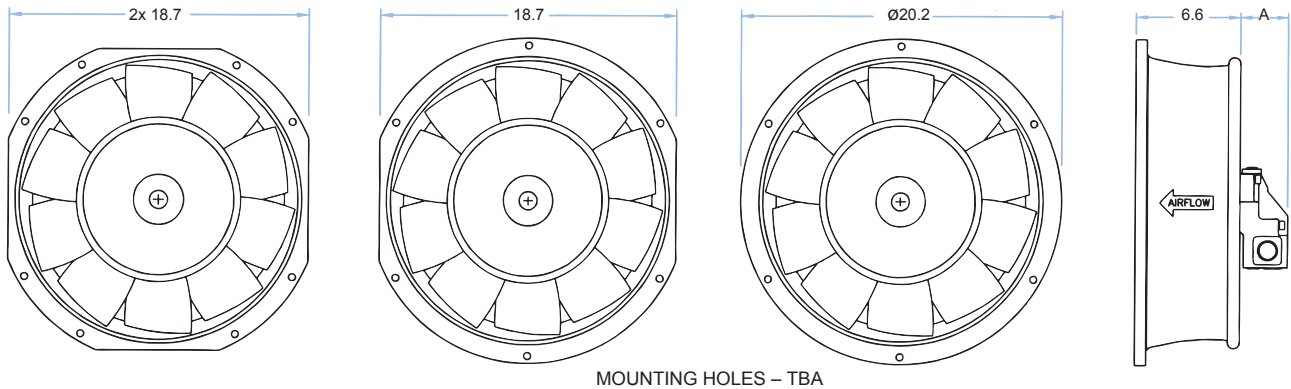
P/N 91350

SCFM CORPORATION'S Mixed Flow Fan P/N 91350 has been upgraded to add more mounting options and reduce the overall width of the fan while, at the same time still keeping the same overall performance and efficiency.

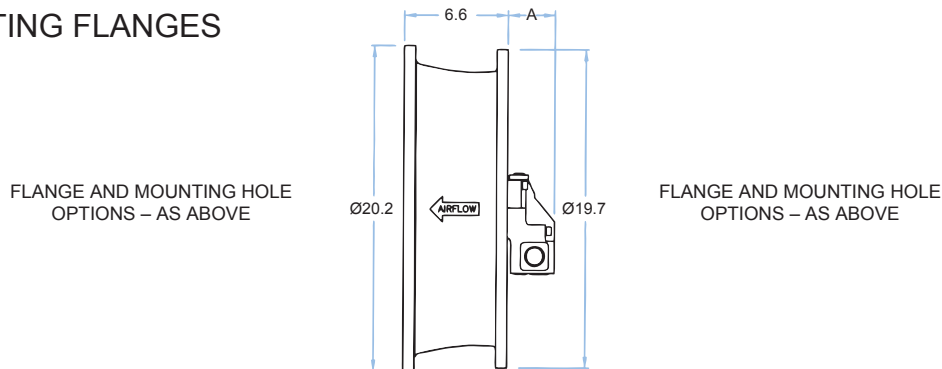
FRONT (AIR INLET) MOUNTING FLANGE



BACK (AIR DISCHARGE) MOUNTING FLANGE



TWO MOUNTING FLANGES



Hydraulic motors that can be fitted in the fan are:

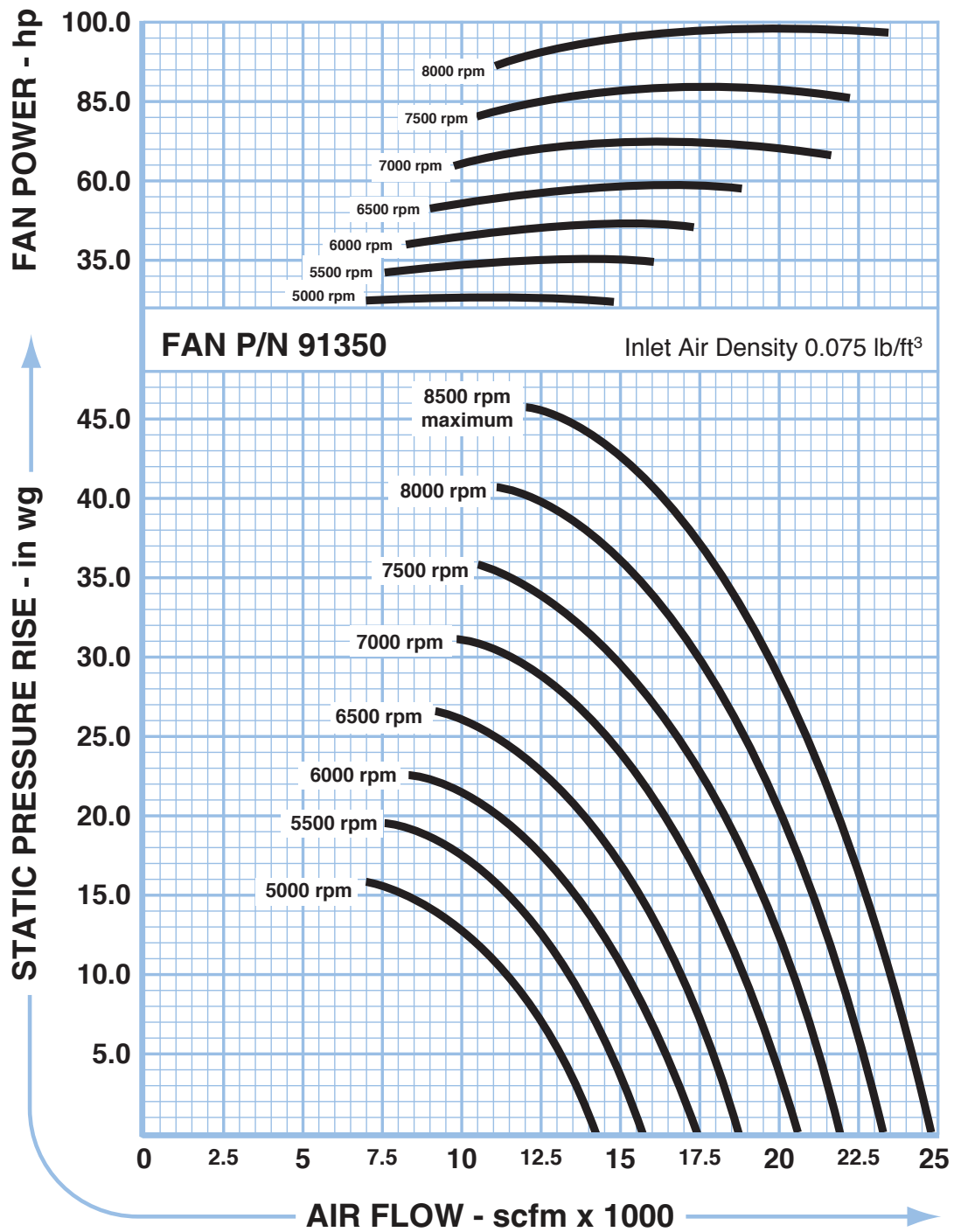
Parker 5cc - Dimensions A = 2.4 in. - Fan weight* \approx 45.0 lb.

Parker 10cc, 12cc & 14cc - Dimensions A = 3.0 in. - Fan weight* \approx 52.8 lb.

Rexroth 10cc, 12cc & 16cc - Dimensions A = 3.6 in. - Fan weight* \approx 46.4 lb.

Rexroth 23cc, 28cc & 32cc - Dimensions A = 4.2 in. - Fan weight* \approx 55.4 lb.

(*Fan weight is for the front mounting flange version)



1153 Red Gum Street
 Anaheim, California 92806 USA
 Phone: 714-630-7236 Fax: 714-630-7744
 Email: sales@SCFMfans.com