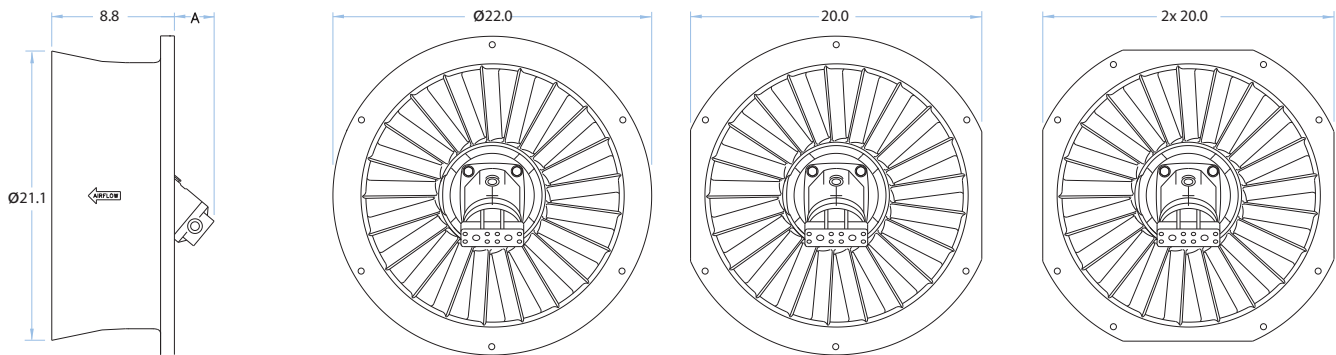


# MIXED FLOW FAN

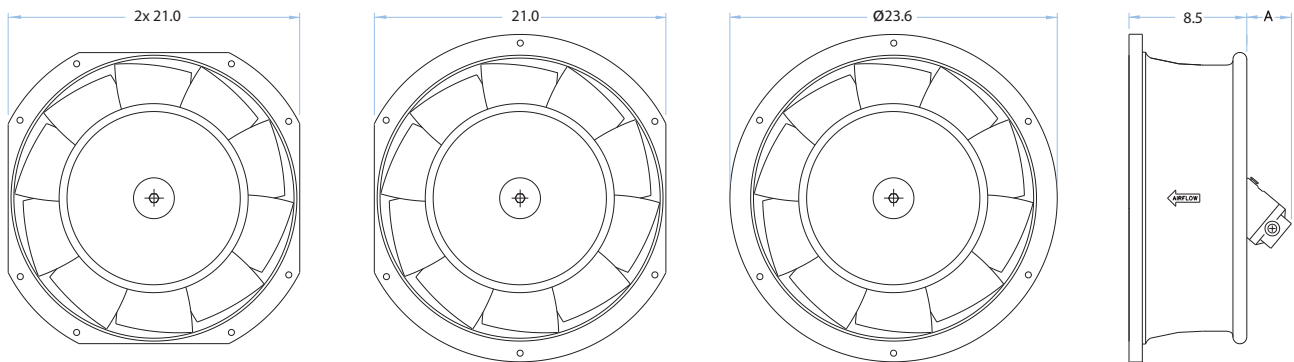
## P/N 91450

SCFM CORPORATION'S Mixed Flow Fan P/N 91450 has been upgraded to add more mounting options, while at the same time still keeping the overall performance and efficiency.

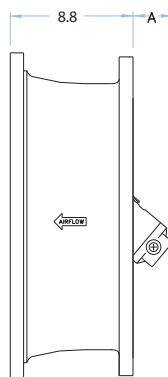
### FRONT (AIR INLET) MOUNTING FLANGE



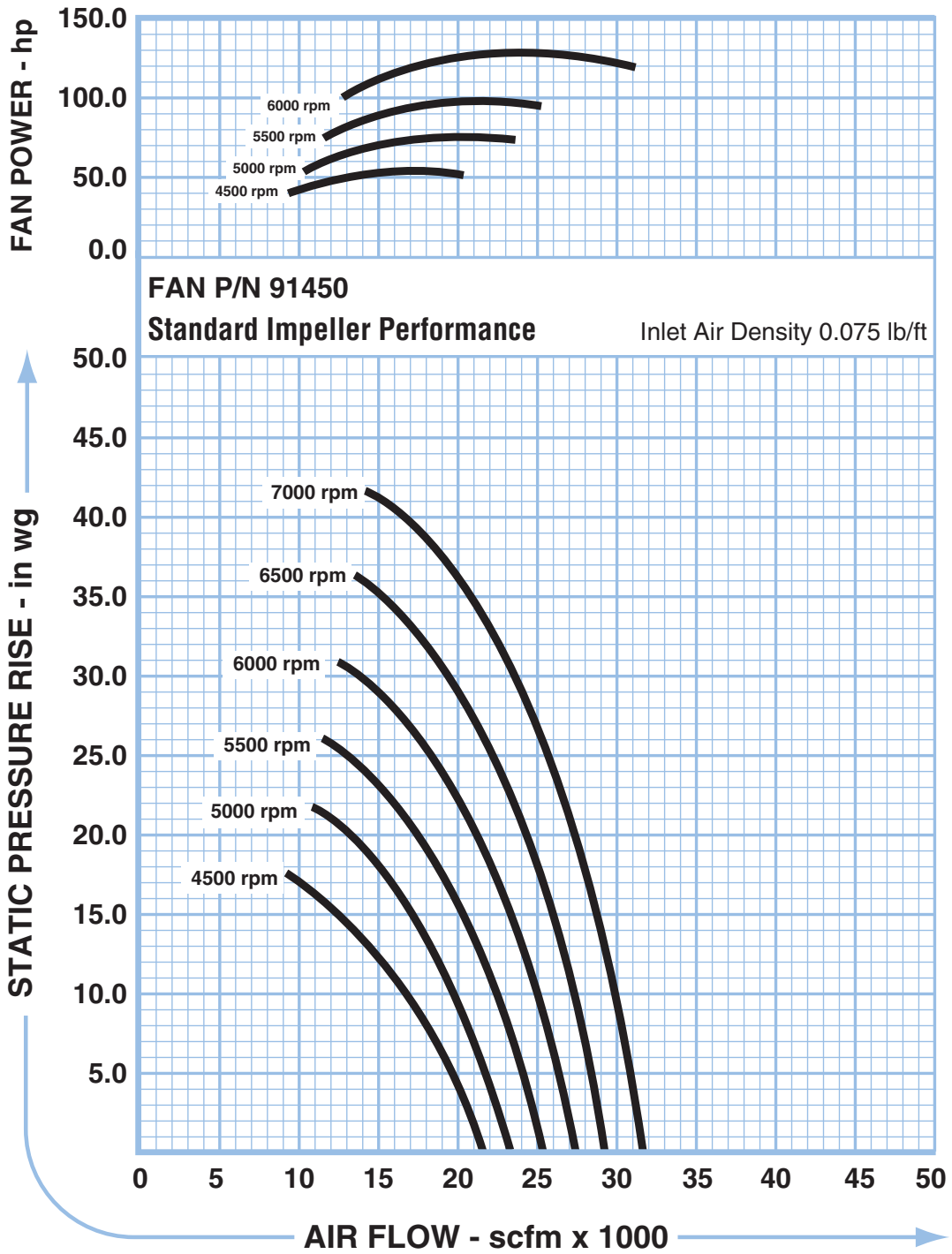
### BACK (AIR DISCHARGE) MOUNTING FLANGE



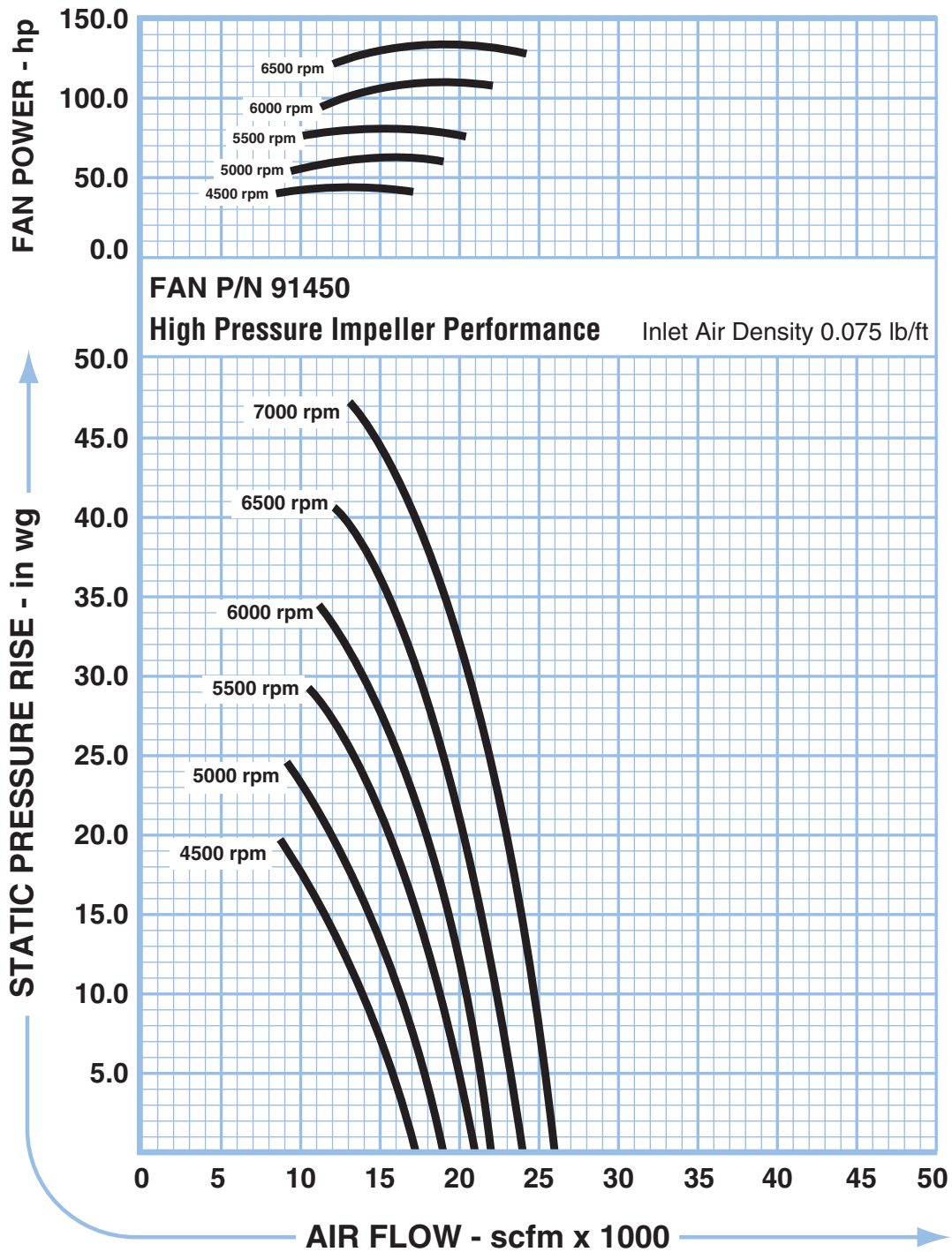
### TWO MOUNTING FLANGES



Hydraulic motors that can be fitted in the fan are:  
Parker 10 cc, 12 cc & 14 cc - Dimension A = 1.7 in. – Fan weight  $\approx$  74.8 lb.  
Rexroth 10 cc, 12 cc & 16 cc - Dimension A = 2.5 in. – Fan weight  $\approx$  68.5 lb.  
Parker 19 cc - Dimension A = 2.9 in. – Fan weight  $\approx$  81.2 lb.  
Rexroth 23 cc, 28 cc & 32 cc - Dimension A = 4.2 in. – Fan weight  $\approx$  79.0 lb.  
Parker 30 cc - Dimension A = 3.6 in. – Fan weight  $\approx$  84.5 lb.  
(\*Fan weight is for the front mounting flange version)



1153 Red Gum Street  
 Anaheim, California 92806 USA  
 Phone: 714-630-7236 Fax: 714-630-7744  
 Email: sales@SCFMfans.com



1153 Red Gum Street  
 Anaheim, California 92806 USA  
 Phone: 714-630-7236 Fax: 714-630-7744  
 Email: sales@SCFMfans.com