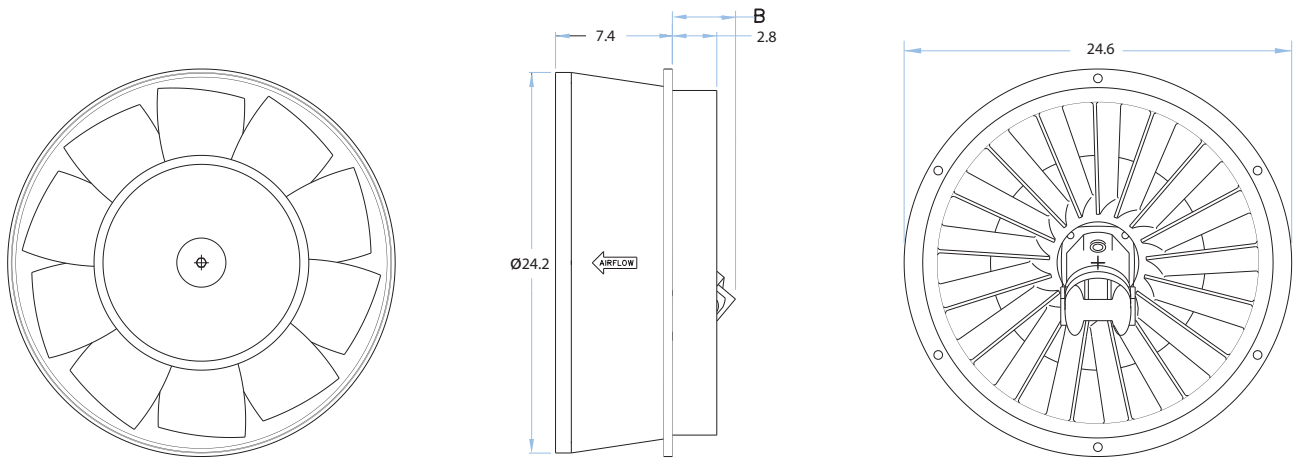


MIXED FLOW FAN

P/N 91500

SCFM CORPORATION'S Mixed Flow Fan P/N 91500 has been used in many applications both commercial and military. The proven performance and efficiency through twenty years of service life make this an exceptional engine cooling fan.

FAN P/N 91500-3



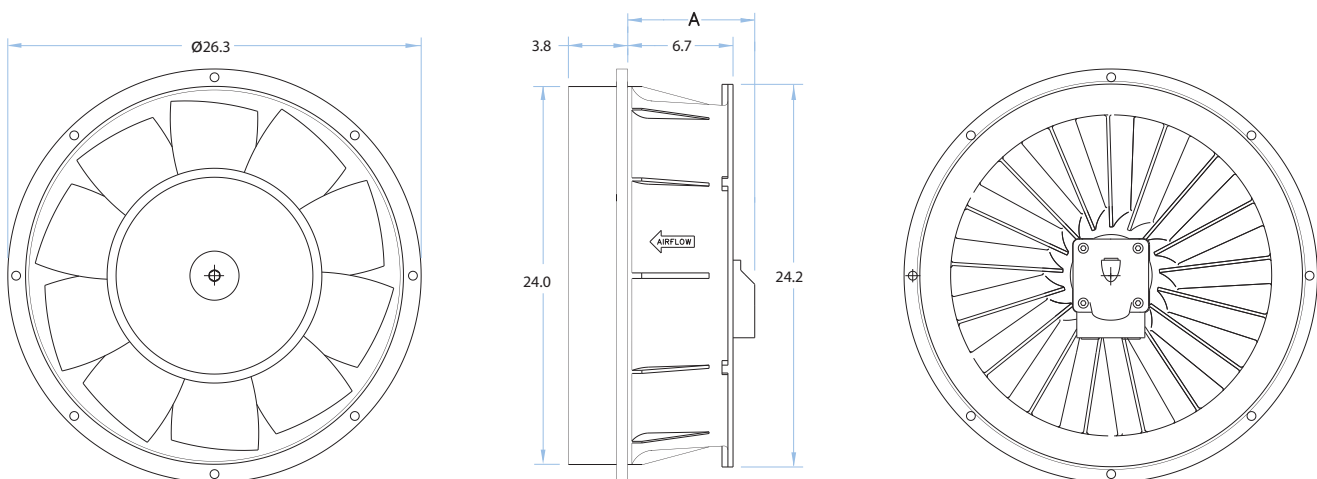
FAN P/N 91500-3

Hydraulic motors that can be fitted in this fan are:

Rexroth 23 cc, 28 cc & 32 cc - Dimension B = 4.1 in. – Fan weight \approx 105 lb.

Parker 30 cc - Dimension B = 3.4 in. – Fan weight \approx 110 lb.

FAN P/N 91500-6

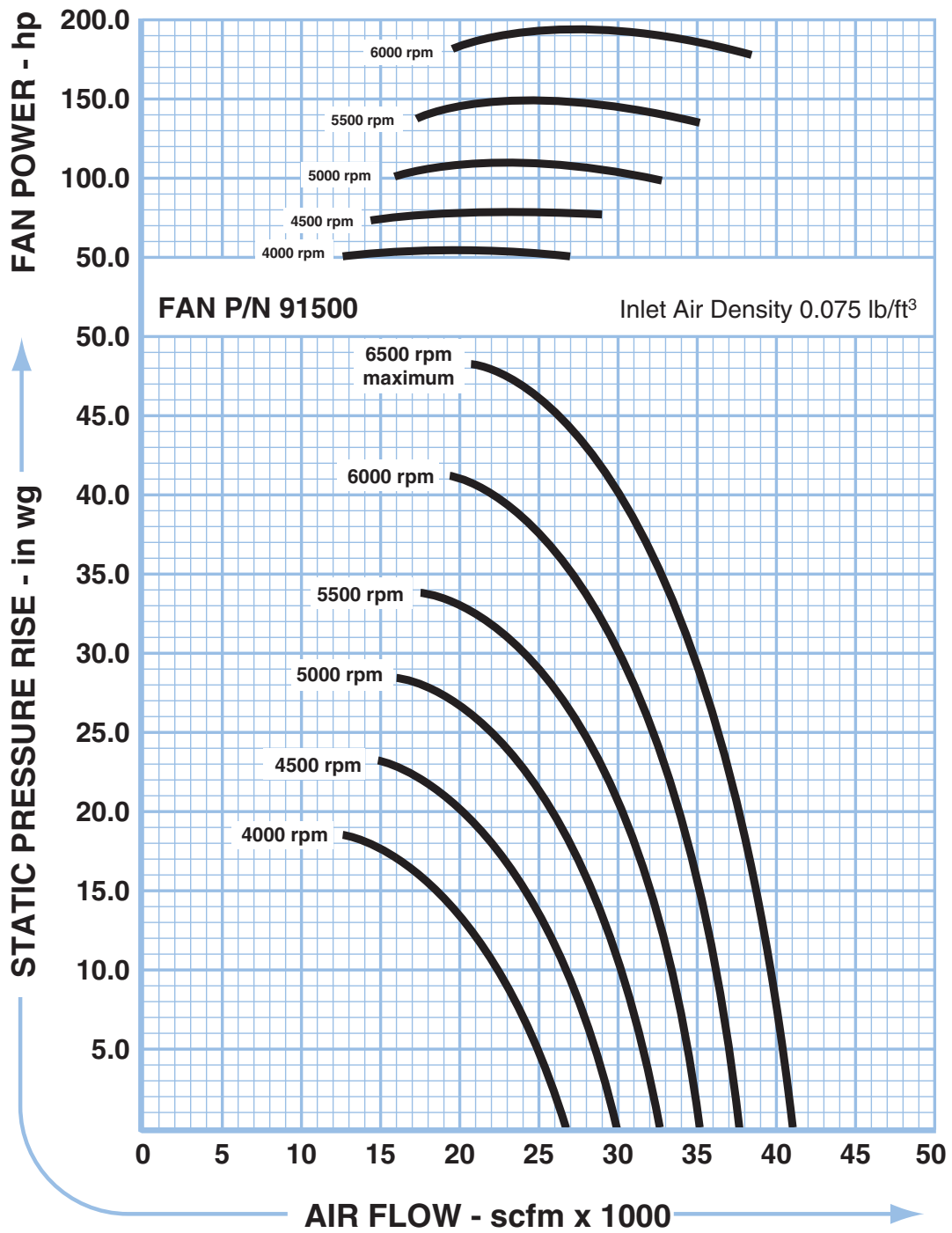


FAN P/N 91500-6

Hydraulic motors that can be fitted in this fan are:

Rexroth 23 cc, 28 cc & 32 cc - Dimension A = 9.1 in. – Fan weight \approx 112.4 lb.

Parker 30 cc - Dimension A = 7.9 in. – Fan weight \approx 131 lb.



1153 Red Gum Street
 Anaheim, California 92806 USA
 Phone: 714-630-7236 Fax: 714-630-7744
 Email: sales@SCFMfans.com