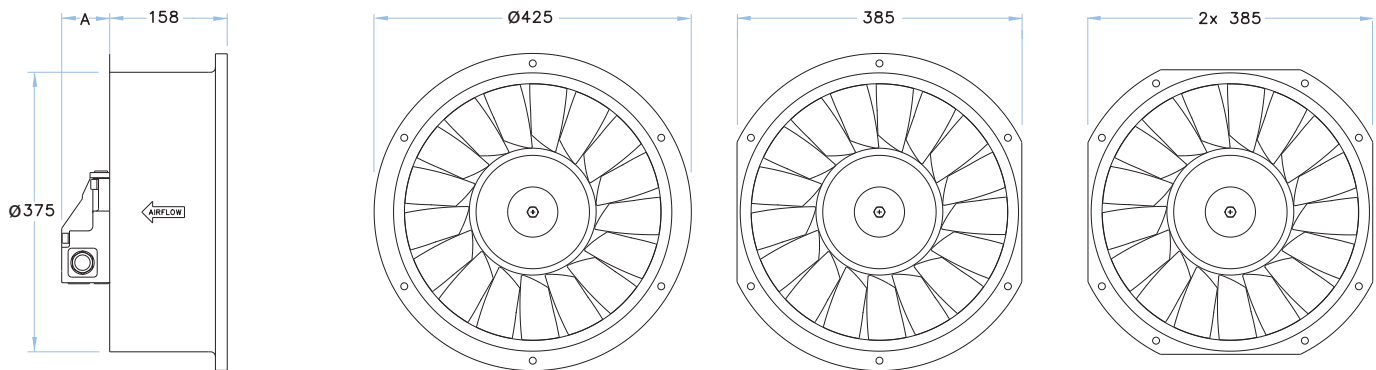


# AXIAL FLOW FAN

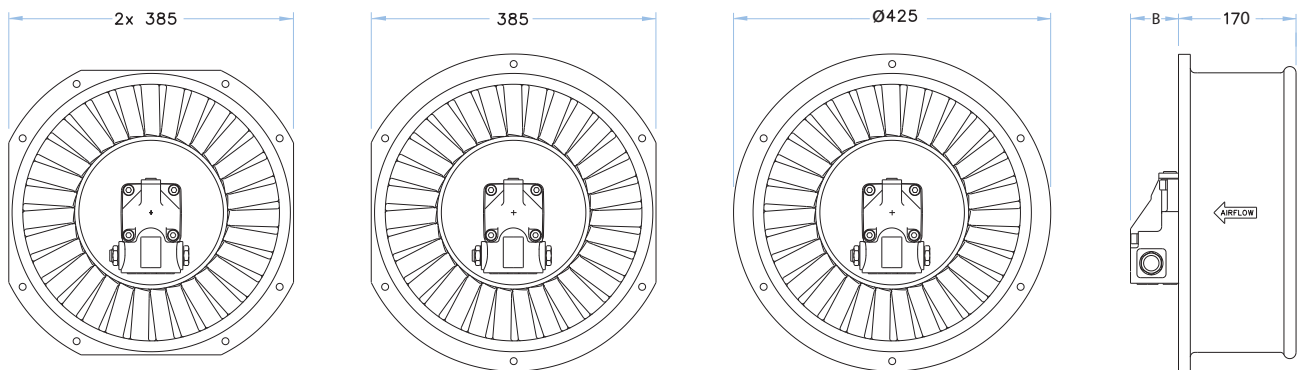
## P/N 61200

SCFM CORPORATION'S latest Axial Flow Fan P/N 61200 maintains the same space claim as the highly successful 91200 fan, but moves the hydraulic motor drive to the fan outlet; suitable for engine cooling system layouts where this approach is more convenient.

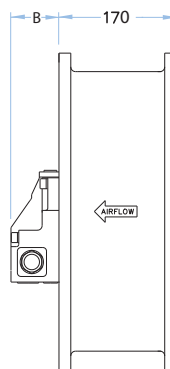
### FRONT (AIR INLET) MOUNTING FLANGE



### BACK (AIR DISCHARGE) MOUNTING FLANGE



### TWO MOUNTING FLANGES



Hydraulic motors that can be fitted in the fan are:

Parker 5cc - Dimension B = 26.5 mm – Fan weight  $\approx$  18.1 kg

Parker 10cc, 12cc & 14cc - Dimension B = 53 mm – Fan weight  $\approx$  21.7 kg

Rexroth 10cc, 12cc & 16cc - Dimension B = 69.5 mm – Fan weight  $\approx$  18.5 kg

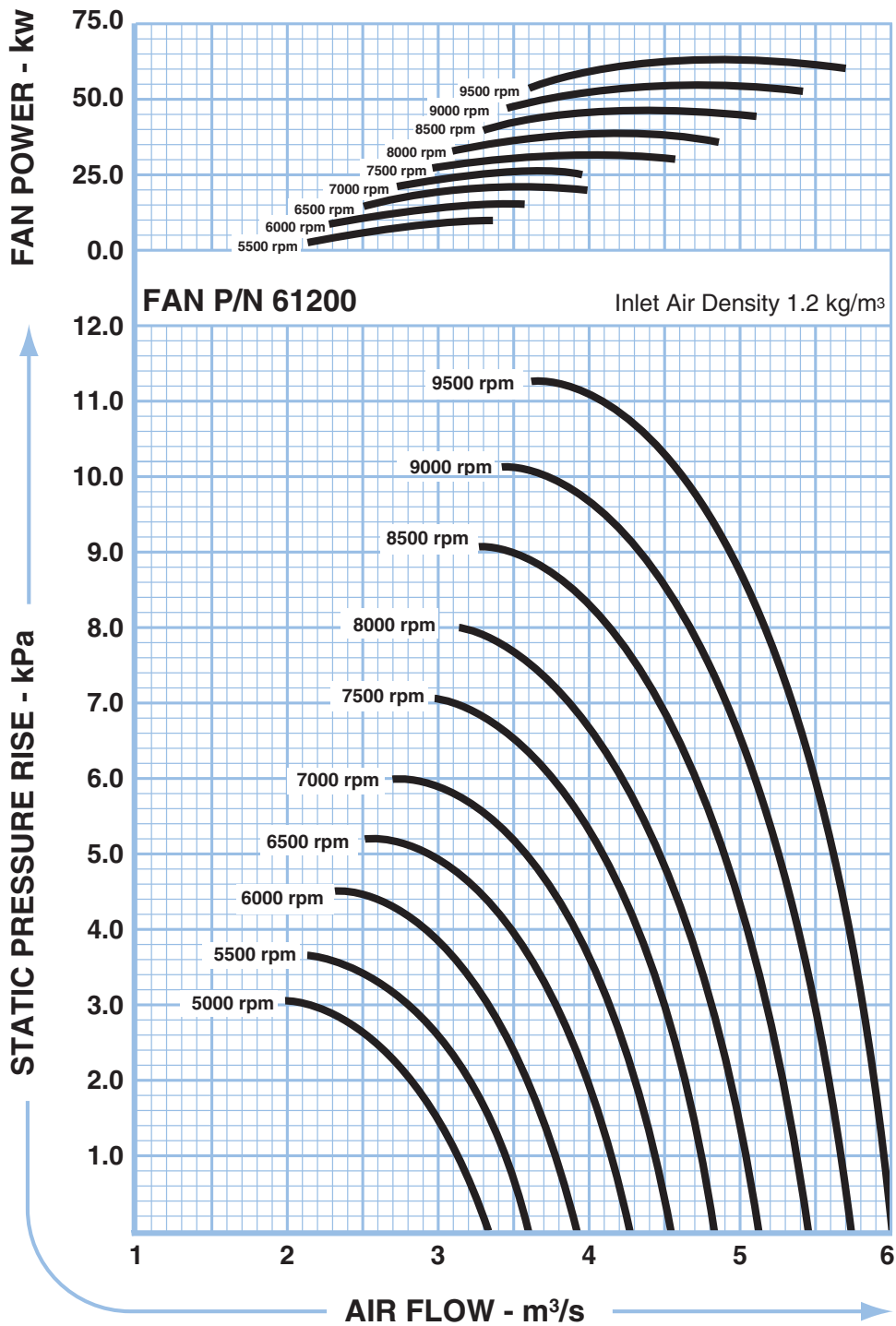
Parker 19cc - Dimension B = 75.5 mm – Fan weight  $\approx$  24.0 kg

Rexroth 23cc, 28cc & 32cc - Dimension B = 108.5 mm – Fan weight  $\approx$  23.3 kg

Parker 30cc - Dimension B = 91.0 mm – Fan weight  $\approx$  25.8 kg

(For dimension A add 12 mm to dimension B)

(\*Fan weight is for the front mounting flange version)



1153 Red Gum Street  
 Anaheim, California 92806 USA  
 Phone: 714-630-7236 Fax: 714-630-7744  
 Email: sales@SCFMfans.com