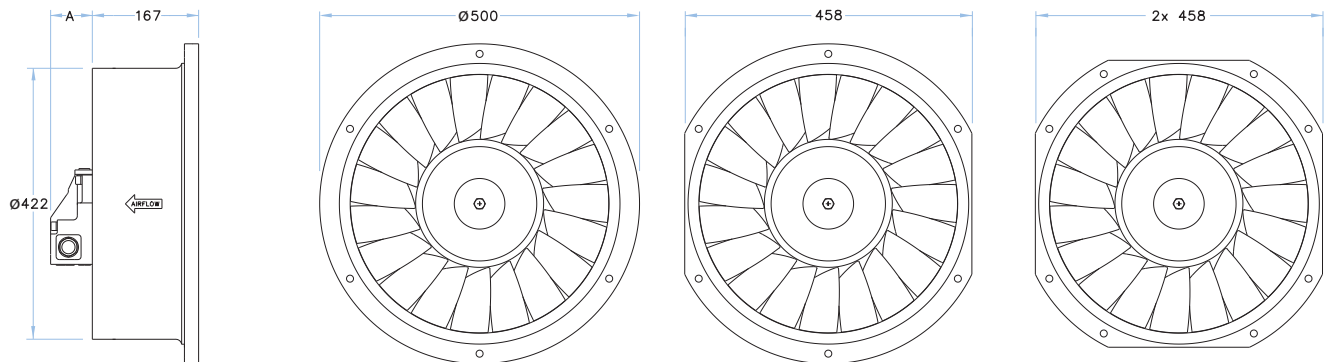


# AXIAL FLOW FAN

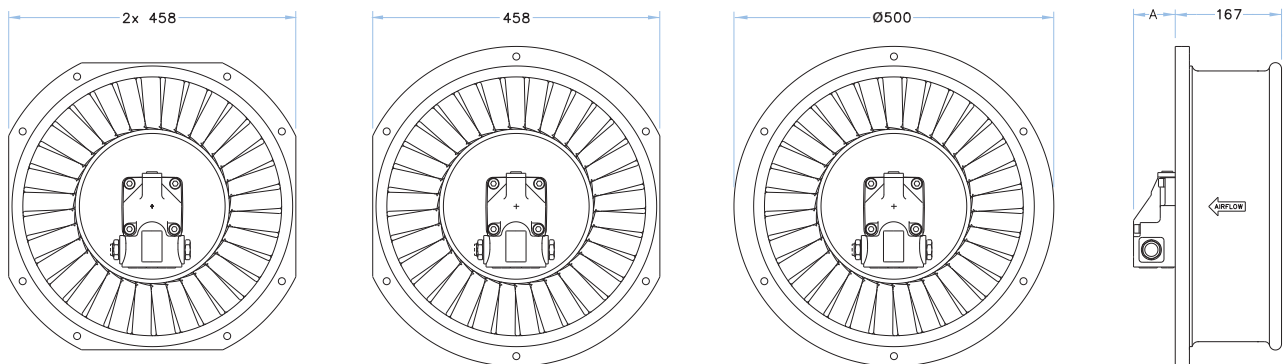
## P/N 61350

SCFM CORPORATION'S latest Axial Flow Fan P/N 61350 maintains the same space claim as the highly successful 91350 fan, but moves the hydraulic motor drive to the fan outlet; suitable for engine cooling system layouts where this approach is more convenient.

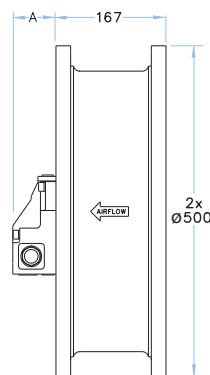
### FRONT (AIR INLET) MOUNTING FLANGE



### BACK (AIR DISCHARGE) MOUNTING FLANGE



### TWO MOUNTING FLANGES



Hydraulic motors that can be fitted in the fan are:

Parker 10 cc, 12 cc & 14 cc - Dimension A = 65.0 mm – Fan weight  $\approx$  26.0 kg

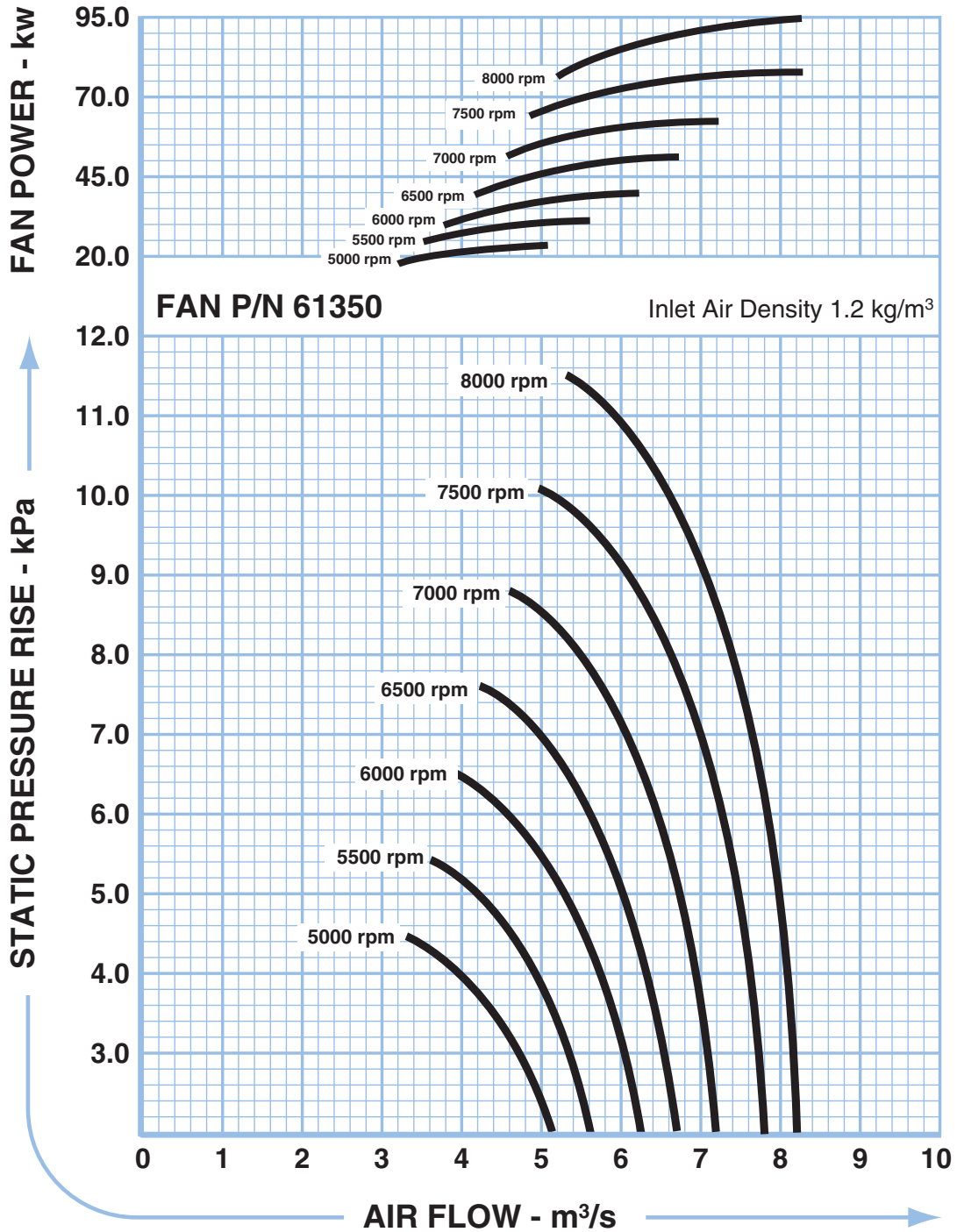
Rexroth 10 cc, 12 cc & 16 cc - Dimension A = 82.0 mm – Fan weight  $\approx$  23.8 kg

Parker 19 cc - Dimension A = 89.9 mm – Fan weight  $\approx$  29.3 kg

Rexroth 23 cc, 28 cc & 32 cc - Dimension A = 123.0 mm – Fan weight  $\approx$  28.5 kg

Parker 30 cc - Dimension A = 105.4 mm – Fan weight  $\approx$  30.8 kg

(\*Fan weight is for the front mounting flange version)



1153 Red Gum Street  
 Anaheim, California 92806 USA  
 Phone: 714-630-7236 Fax: 714-630-7744  
 Email: sales@SCFMfans.com