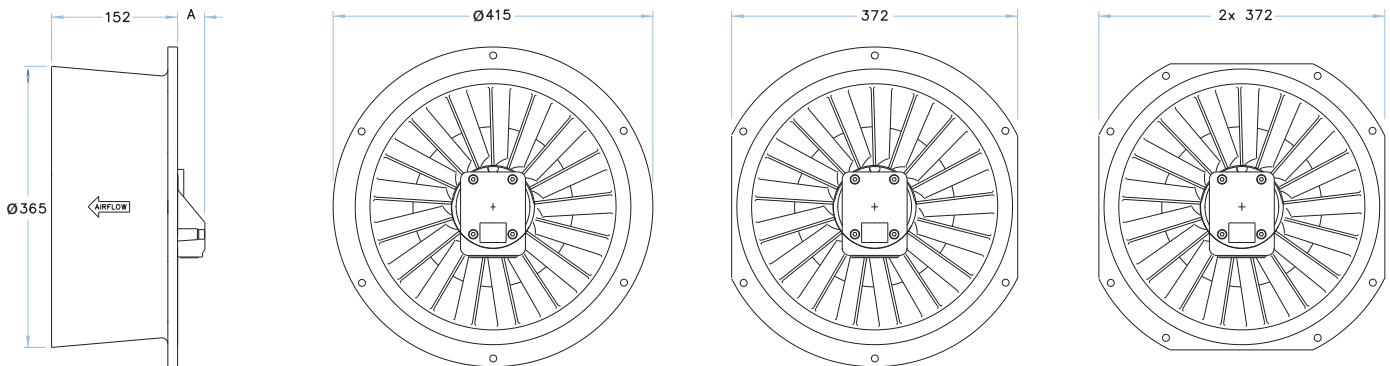


# MIXED FLOW FAN

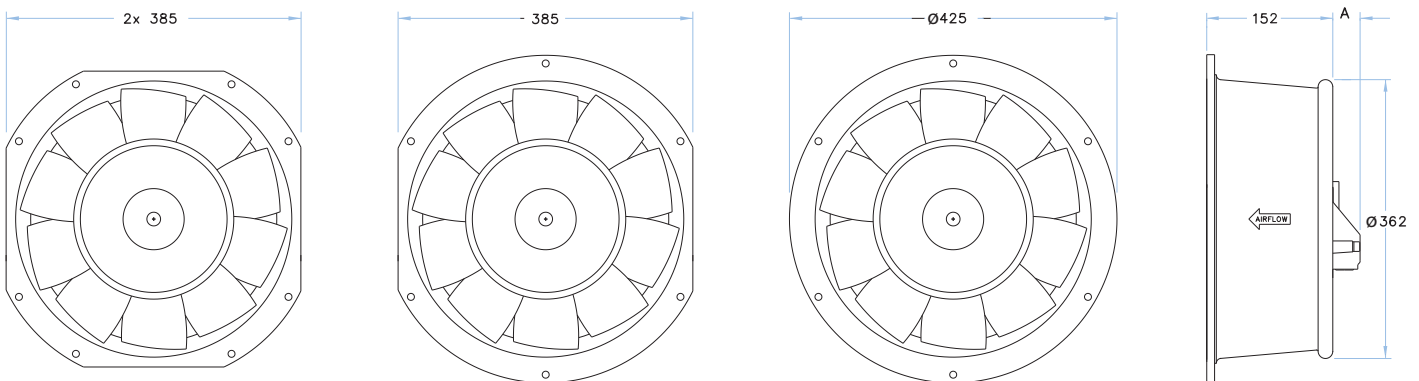
## P/N 91200

SCFM CORPORATION'S Mixed Flow Fan P/N 91200 has been upgraded to add more mounting options, while at the same time still keeping the overall performance and efficiency.

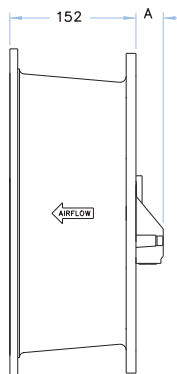
### FRONT (AIR INLET) MOUNTING FLANGE



### BACK (AIR DISCHARGE) MOUNTING FLANGE



### TWO MOUNTING FLANGES



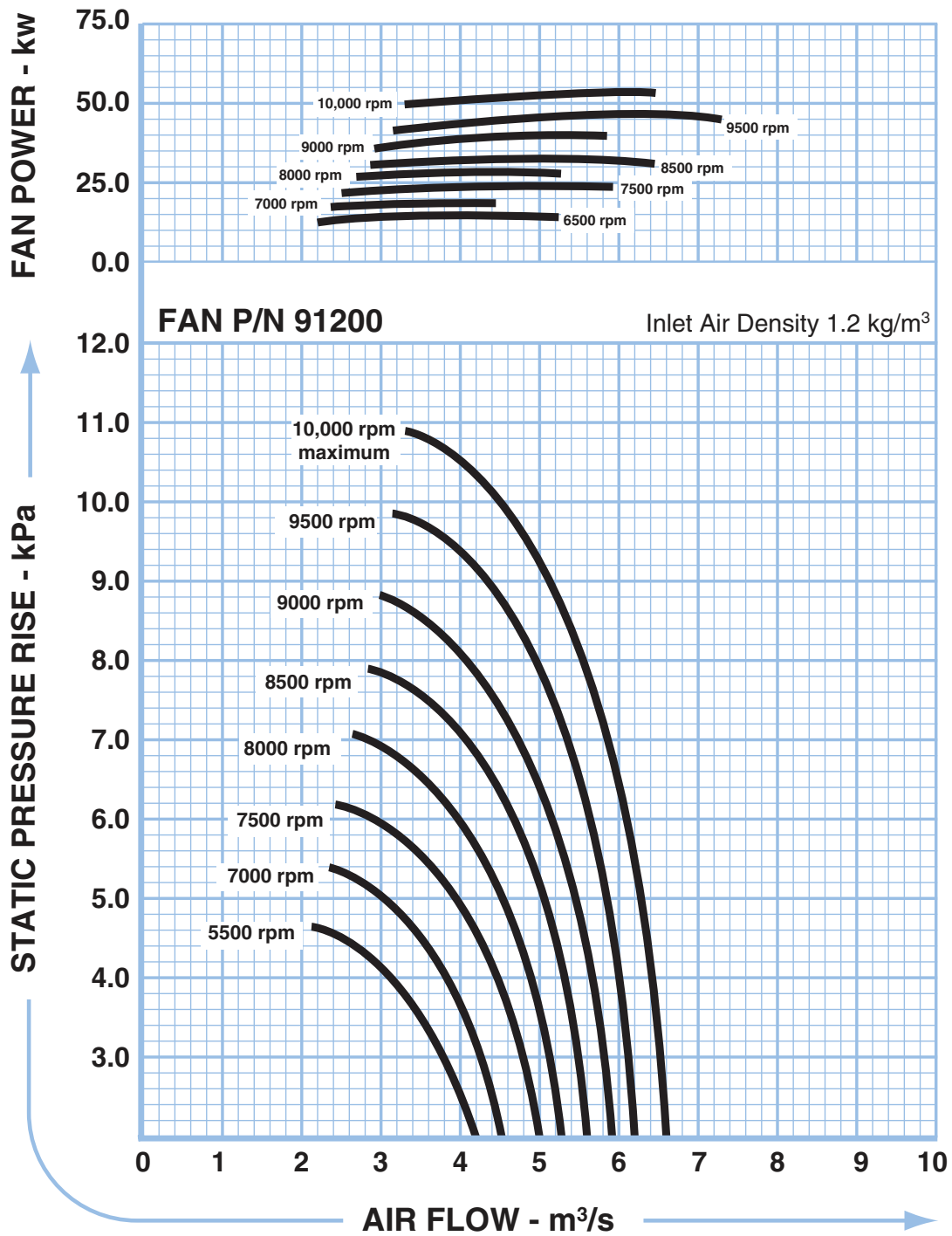
Hydraulic motors that can be fitted in the fan are:

Parker 5 cc – Dimension A = 47.0 mm – Fan weight  $\approx$  15.0 kg

Parker 10 cc, 12 cc & 14 cc – Dimension A = 71.5 mm – Fan weight  $\approx$  17.9 kg

Rexroth 10 cc, 12 cc & 16 cc – Dimension A = 91.5 mm – Fan weight  $\approx$  15.7 kg

(\*Fan weight is for the front mounting flange version)



1153 Red Gum Street  
 Anaheim, California 92806 USA  
 Phone: 714-630-7236 Fax: 714-630-7744  
 Email: sales@SCFMfans.com