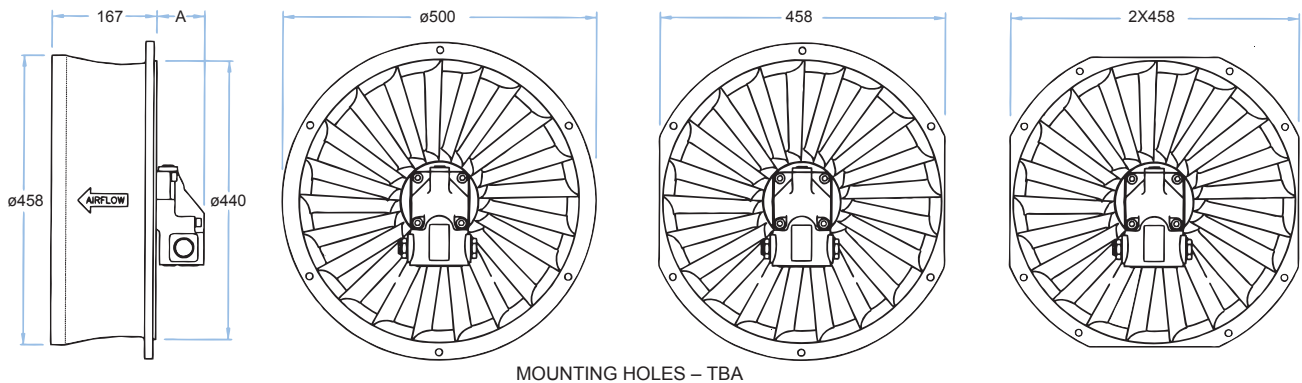


# MIXED FLOW FAN

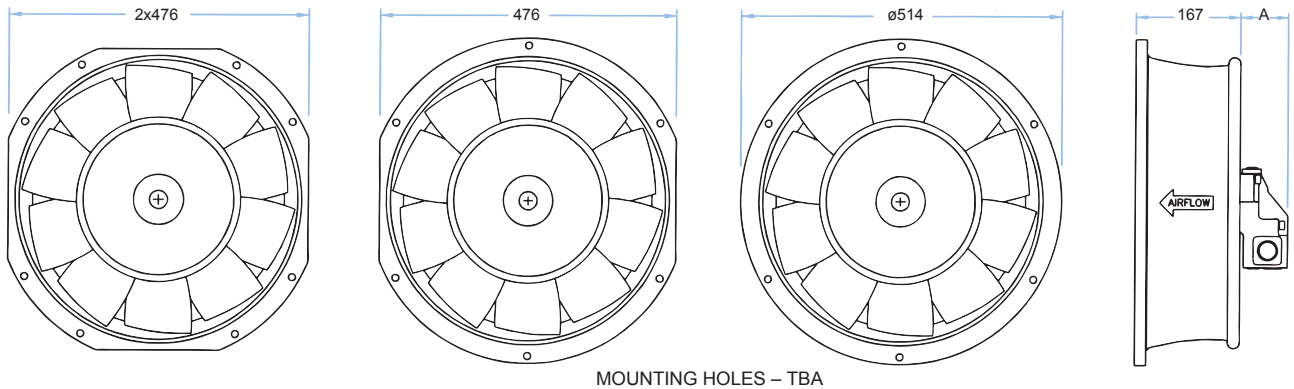
## P/N 91350

SCFM CORPORATION'S Mixed Flow Fan P/N 91350 has been upgraded to add more mounting options and reduce the overall width of the fan while, at the same time still keeping the same overall performance and efficiency.

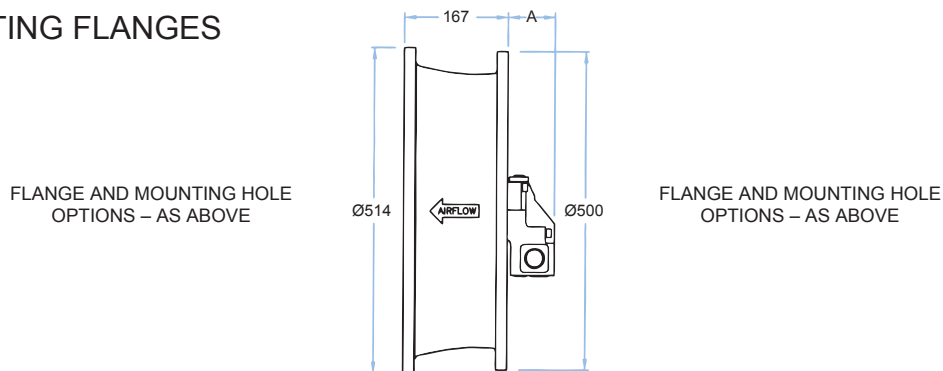
### FRONT (AIR INLET) MOUNTING FLANGE



### BACK (AIR DISCHARGE) MOUNTING FLANGE

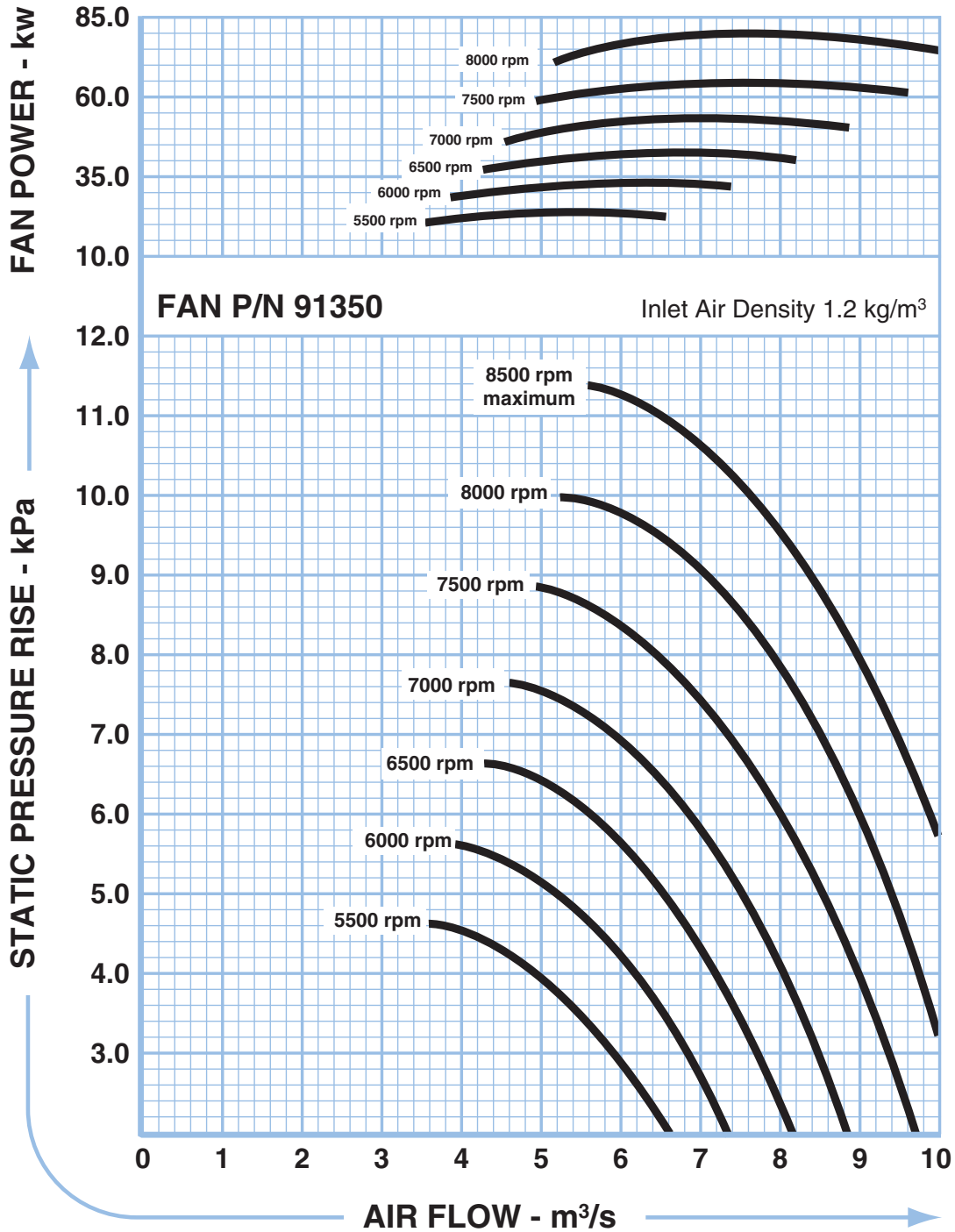


### TWO MOUNTING FLANGES



Hydraulic motors that can be fitted in the fan are:

Parker 10cc, 12cc & 14cc - Dimensions A = 76.2 mm – Fan weight\*  $\approx$  24.0 kg  
 Rexroth 10cc, 12cc & 16cc - Dimensions A = 92.7 mm – Fan weight\*  $\approx$  21.1 kg  
 Rexroth 23cc, 28cc & 32cc - Dimensions A = 106.7 mm – Fan weight\*  $\approx$  25.2 kg  
 (\*Fan weight is for the front mounting flange version)



1153 Red Gum Street  
 Anaheim, California 92806 USA  
 Phone: 714-630-7236 Fax: 714-630-7744  
 Email: sales@SCFMfans.com