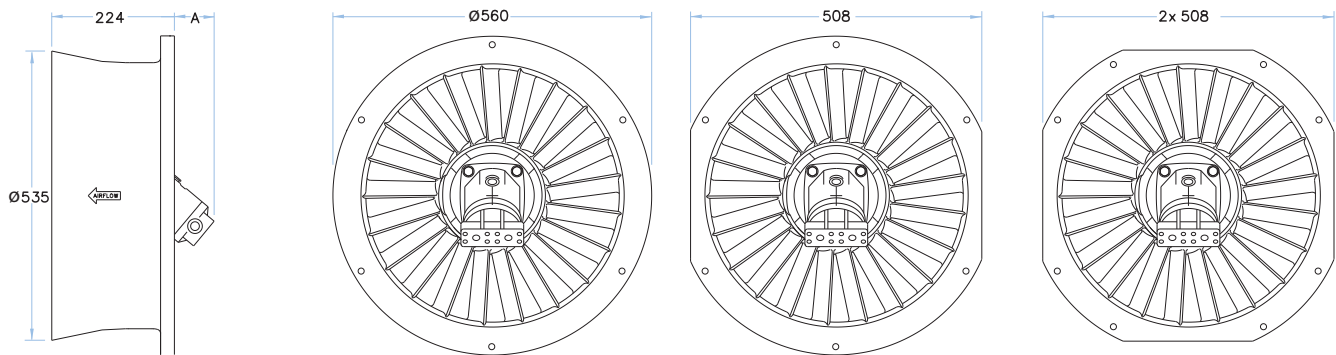


MIXED FLOW FAN

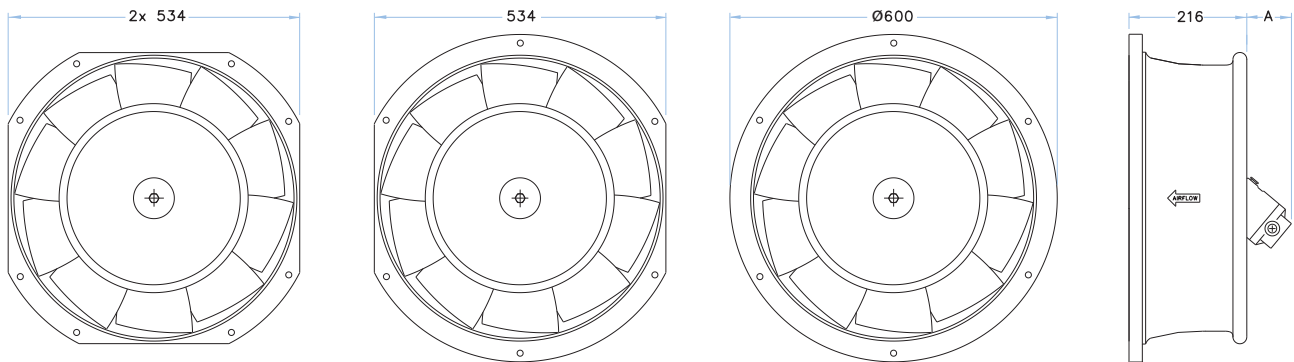
P/N 91450

SCFM CORPORATION'S Mixed Flow Fan P/N 91450 has been upgraded to add more mounting options, while at the same time still keeping the overall performance and efficiency.

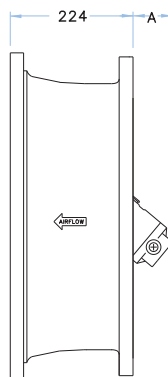
FRONT (AIR INLET) MOUNTING FLANGE



BACK (AIR DISCHARGE) MOUNTING FLANGE



TWO MOUNTING FLANGES



Hydraulic motors that can be fitted in the fan are:

Parker 10 cc, 12 cc & 14 cc - Dimension A = 43 mm – Fan weight \approx 33.9 kg

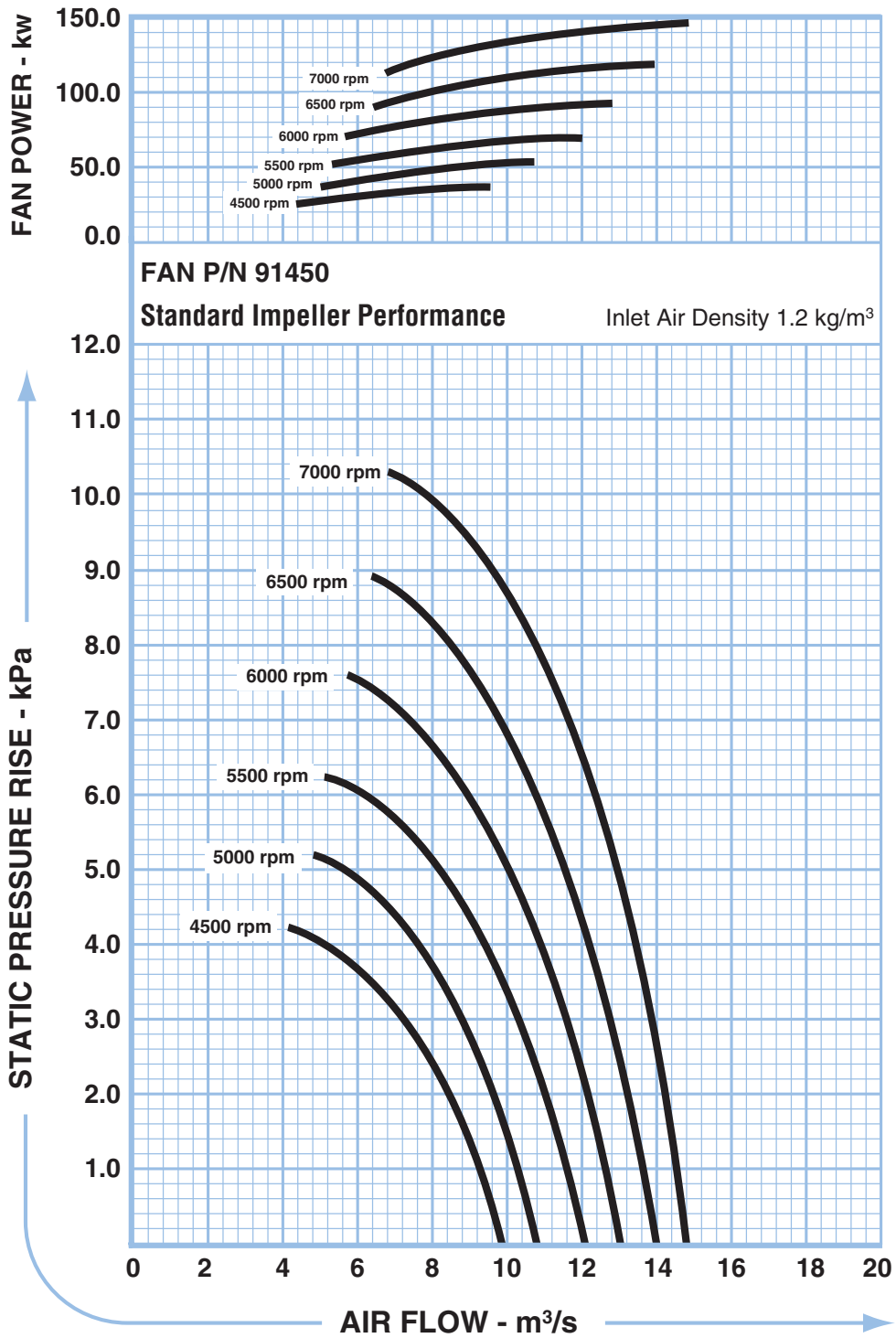
Rexroth 10 cc, 12 cc & 16 cc - Dimension A = 64 mm – Fan weight \approx 31.1 kg

Parker 19 cc - Dimension A = 73.0 mm – Fan weight \approx 37.0 kg

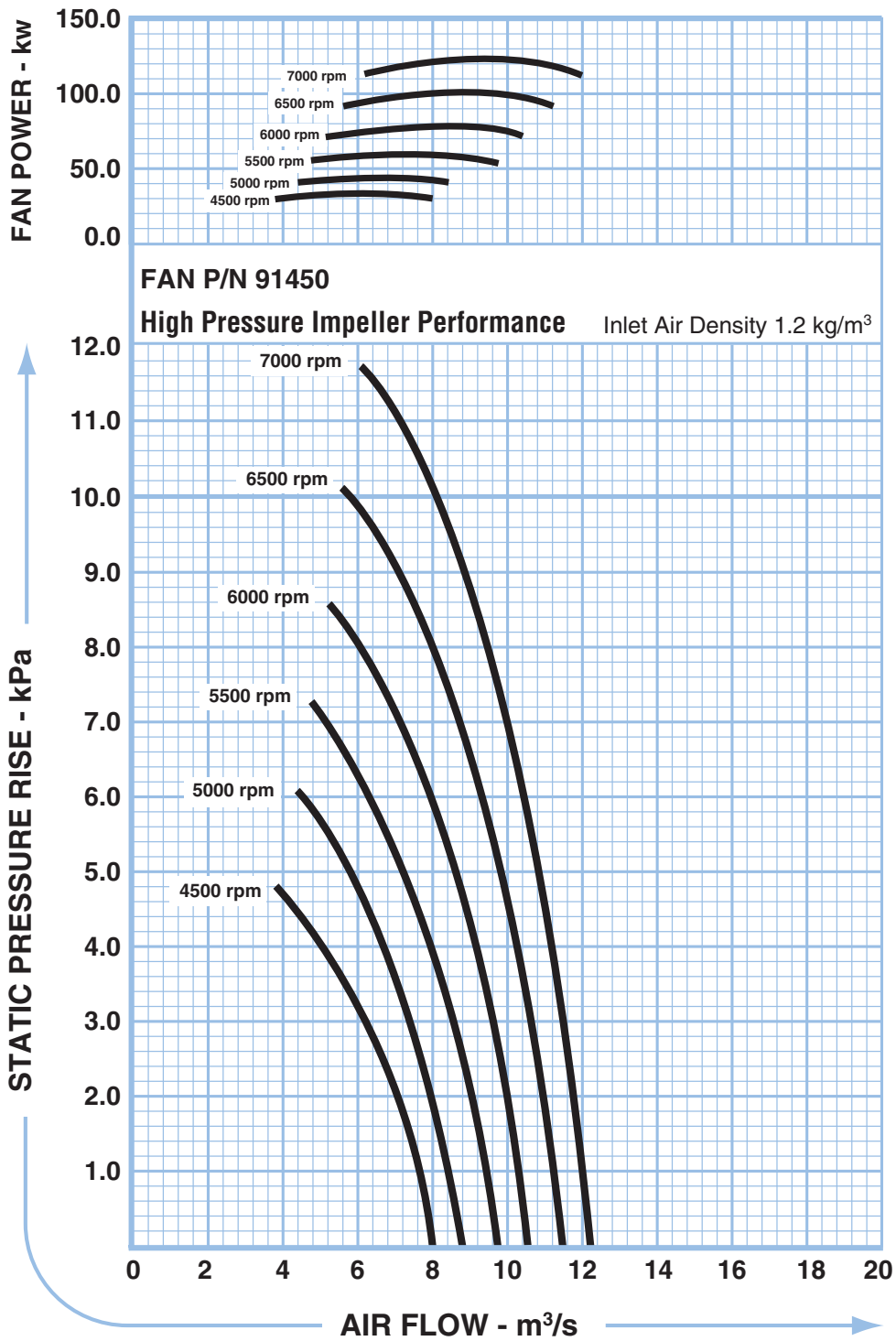
Rexroth 23 cc, 28 cc & 32 cc - Dimension A = 107 mm – Fan weight \approx 35.8 kg

Parker 30 cc - Dimension A = 91 mm – Fan weight \approx 38.3 kg

(*Fan weight is for the front mounting flange version)



1153 Red Gum Street
 Anaheim, California 92806 USA
 Phone: 714-630-7236 Fax: 714-630-7744
 Email: sales@SCFMfans.com



1153 Red Gum Street
 Anaheim, California 92806 USA
 Phone: 714-630-7236 Fax: 714-630-7744
 Email: sales@SCFMfans.com