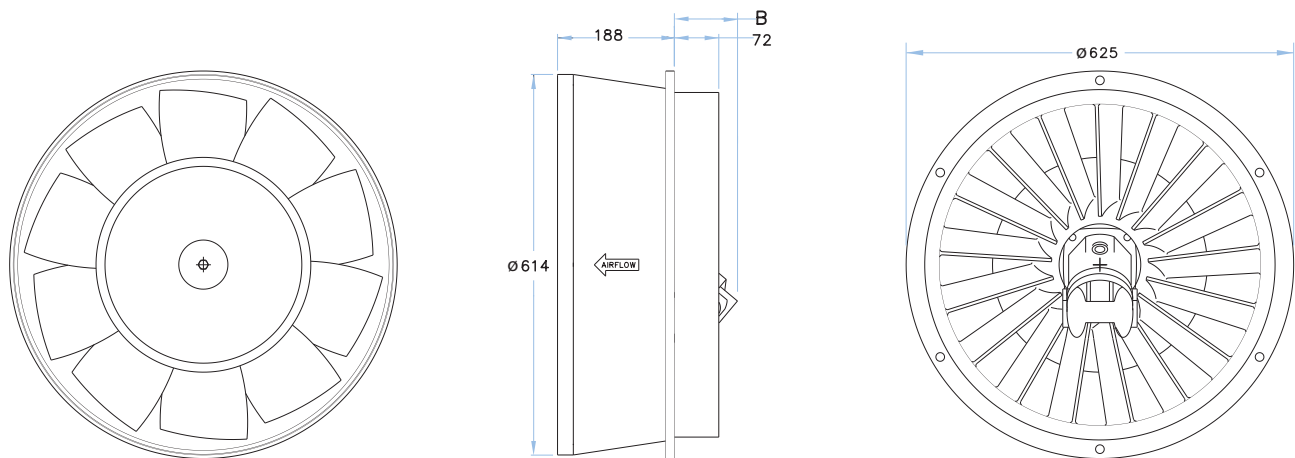


MIXED FLOW FAN

P/N 91500

SCFM CORPORATION'S Mixed Flow Fan P/N 91500 has been used in many applications both commercial and military. The proven performance and efficiency through twenty years of service life make this an exceptional engine cooling fan.

FAN P/N 91500-3



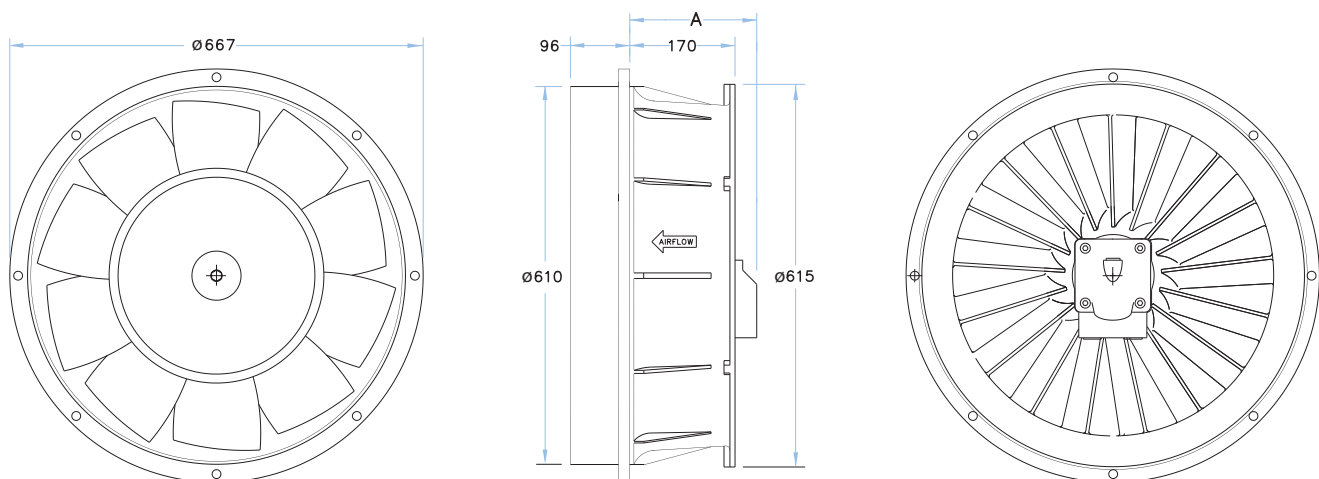
FAN P/N 91500-3

Hydraulic motors that can be fitted in this fan are:

Rexroth 23 cc, 28 cc & 32 cc - Dimension B = 104 mm – Fan weight \approx 47.5 kg

Parker 30 cc - Dimension B = 86 mm – Fan weight \approx 50.0 kg

FAN P/N 91500-6

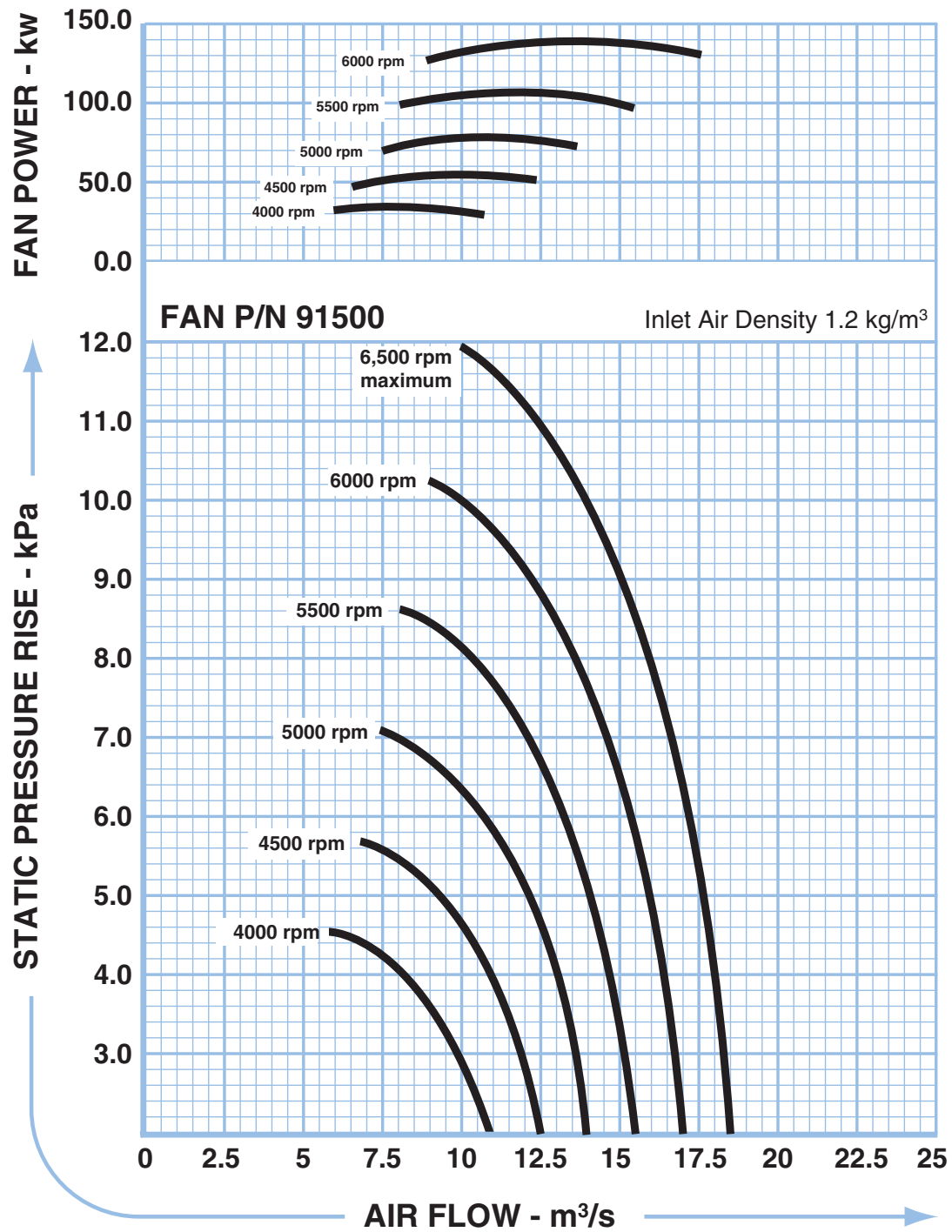


FAN P/N 91500-6

Hydraulic motors that can be fitted in this fan are:

Rexroth 23 cc, 28 cc & 32 cc - Dimension A = 232 mm – Fan weight \approx 51.1 kg

Parker 30 cc - Dimension A = 201 mm – Fan weight \approx 59.6 kg



1153 Red Gum Street
 Anaheim, California 92806 USA
 Phone: 714-630-7236 Fax: 714-630-7744
 Email: sales@SCFMfans.com