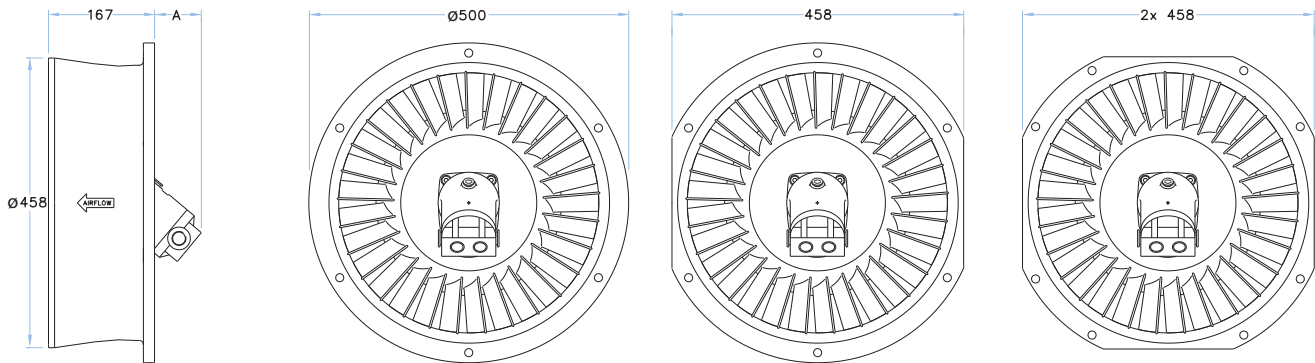


# MIXED FLOW FAN

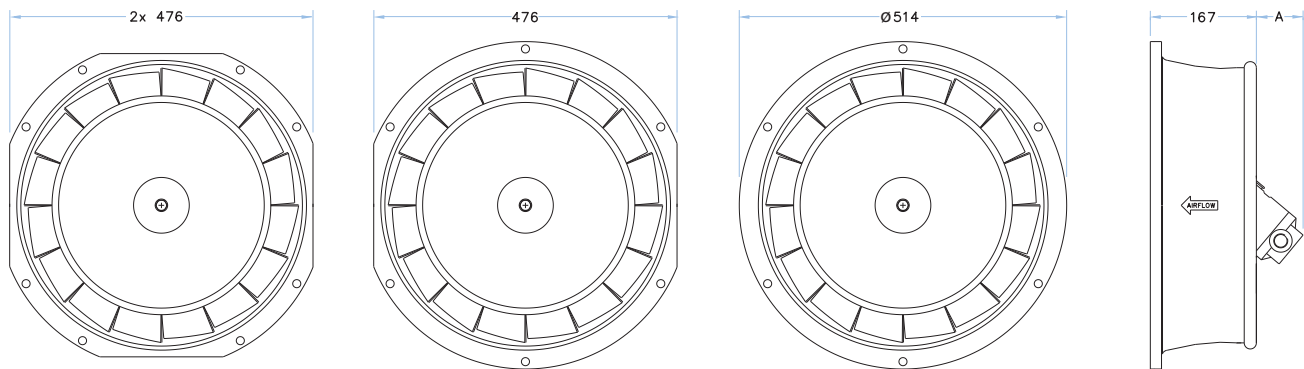
## P/N 93350

SCFM CORPORATION'S latest Mixed Flow Fan P/N 93350 is a high pressure version of the highly successful 91350 fan. Maintaining exactly the same space claim as the 91350 fan, the new high pressure 93350 has a 30% increase in peak pressure for more tightly packaged engine cooling systems.

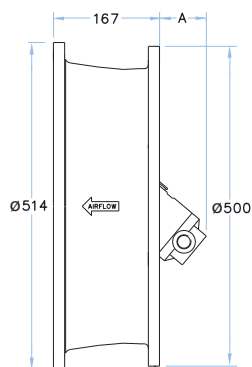
### FRONT (AIR INLET) MOUNTING FLANGE



### BACK (AIR DISCHARGE) MOUNTING FLANGE



### TWO MOUNTING FLANGES



Hydraulic motors that can be fitted in the fan are:

Parker 10 cc, 12 cc & 14 cc - Dimension A = 58.1 mm – Fan weight  $\approx$  28.8 kg

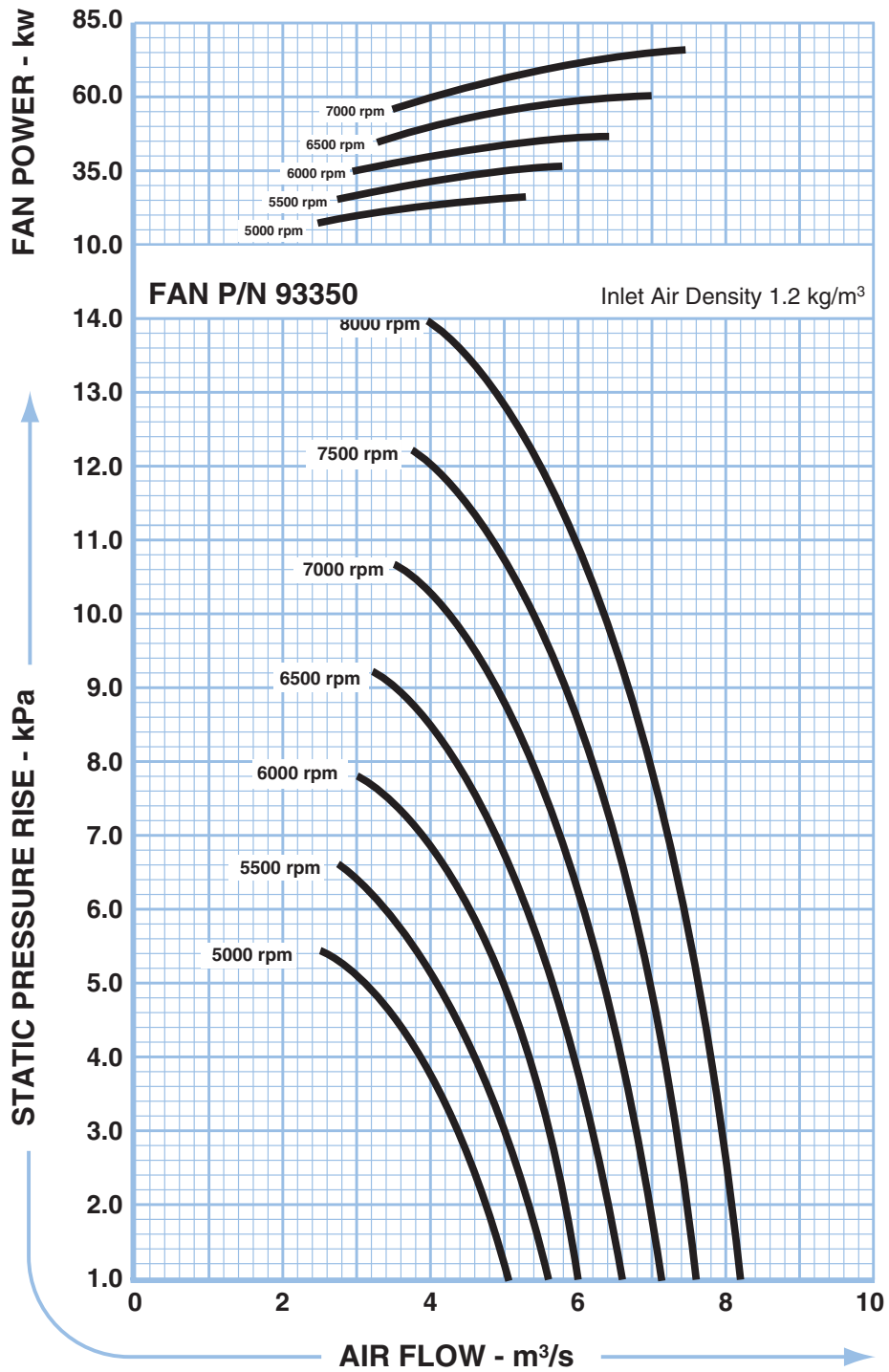
Rexroth 10 cc, 12 cc & 16 cc - Dimension A = 73.9 mm – Fan weight  $\approx$  26.8 kg

Parker 19 cc - Dimension A = 80.0 mm – Fan weight  $\approx$  32.2 kg

Rexroth 23 cc, 28 cc & 32 cc - Dimension A = 113.0 mm – Fan weight  $\approx$  31.1 kg

Parker 30 cc - Dimension A = 95.5 mm – Fan weight  $\approx$  33.3 kg

(\*Fan weight is for the front mounting flange version)



1153 Red Gum Street  
 Anaheim, California 92806 USA  
 Phone: 714-630-7236 Fax: 714-630-7744  
 Email: sales@SCFMfans.com